



MODULAR ICE MAKER
MACHINE A GLACE MODULAIRE
EISBEREITER FÜR SEPARATEN VORRATSBEHÄLTER
IJSMACHINE MET LOSSE OPSLAGBUNKER
MAQUINA DE CUBITOS MODULAR
FABBRICATORE MODULARE DI GHIACCIO

**INSTRUCTION MANUAL
NOTICE D'UTILISATION
BEDIENUNGSANLEITUNG
GEBRUIKSAANWIJZING
MANUAL DE INSTRUCCIONES
MANUALE D'ISTRUZIONI**

FOR END USER
POUR UTILISATEUR
FÜR DEN ENDKUNDEN
VOOR DE GEBRUIKER
PARA USUARIO
PER L'UTENTE FINALE

**FM-1000AKE
FM-1000AKE-N
FM-750AKE
FM-750AKE-N
FM-600AKE
FM-600AKE-N
FM-480AKE
FM-480AKE-N
FM-300AKE
FM-300AKE-N
FM-170AKE
FM-170AKE-N**

IMPORTANT

1. This booklet is an integral and essential part of the product and should be kept and preserved by the user. Please read carefully the guidelines and warnings contained herein as they are intended to provide the user with essential information for the continued safe use and maintenance of the product. In addition, it provides GUIDANCE ONLY to the user on the correct services and site location of the icemaker. Please preserve this booklet for any further consultation that may be necessary.
2. This is a commercial icemaker, and should be destined only to be used for the purpose for which it has been expressly designed. Any other use should be considered improper and therefore dangerous. The manufacturer will not be held liable or responsible for any damage caused by improper, incorrect and unreasonable use.

I. INSTALLATION INSTRUCTIONS

WARNING

1. **The installation must be carried out by qualified personnel**, in accordance with current regulations, according to the manufacturer's instructions.
2. Keep ventilation openings, in the appliance enclosure or in the built-in structure, clear of obstruction.

1. LOCATION

IMPORTANT

1. This icemaker is not intended for outdoor use. Normal operating ambient temperature should be within 5°C to 40°C. Normal operating water temperature should be within 5°C to 35°C. Operation of the icemaker, for extended periods, outside of these normal temperature ranges may affect production capacity.
2. The icemaker should not be located next to ovens, grills or other high heat producing equipment.
3. The location should provide a firm and level foundation for the equipment.

4. Allow 15 cm clearance at rear and sides (FM-600AKE: 30 cm) for proper air circulation and ease of maintenance and/or service should they be required. Allow 60 cm clearance on top to allow for removal of the auger.
5. This appliance is not suitable for installation in an area where a water jet could be used and where dripping is not allowed.
6. Do not place anything on top of the icemaker or in front of the louver.

2. ELECTRICAL CONNECTIONS

WARNING

THIS APPLIANCE MUST BE EARTHED

This icemaker requires an earth that meets the national and local electrical code requirements. To prevent possible severe electrical shock to individuals or extensive damage to equipment, install a proper earth wire to the icemaker. Disconnect the main power supply before any maintenance, repairs or cleaning is undertaken.

- * This appliance requires a separate 220 - 240VAC, 17A (FM-1000, 600) / 12A (FM-750, 480) / 8A (FM-300) / 7A (FM-170) supply. The electrical supply must be protected by a suitable circuit breaker.
- * Usually an electrical permit and services of a licensed electrician are required.

[FM-1000, 600]

- * If the supply cord and/or the plug should need to be replaced, it should only be done by a qualified service engineer.
- * The fixed wiring must incorporate a means for disconnection from the supply having a contact separation of at least 3 mm in all poles.

[FM-750, 480, 300, 170]

- * If the supply cord is damaged, it must be replaced by a special cord or assembly available from the manufacturer or its service agent.

For the U.K. and the Republic of Ireland only


- * The wires in the mains lead are coloured in

ENGLISH

accordance with the following code:

Green & Yellow = Earth
Blue = Neutral
Brown = Live

As the colours of the wire in the mains lead of this appliance may not correspond with the coloured markings identifying the terminals in your plug, proceed as follows:

The wire which is coloured Green-and-Yellow must be connected to the terminal in the plug which is marked with the letter E or by the symbol  or coloured Green or Green-and-Yellow. The wire which is coloured Blue must be connected to the terminal which is marked with the letter N or coloured Black. The wire which is coloured Brown must be connected to the terminal which is marked with the letter L or coloured Red.

- * Should the socket outlets in the installation site not be suitable for the plug supplied with your product, the plug must be removed (cut off if it is moulded on plug) and an appropriate plug fitted.

If the non-rewirable plug has been cut from the power supply cord, it must be disposed of. There should be no attempt to reuse it. Inserting such a plug into a socket elsewhere presents a serious risk of electrical shock.

- * The non-rewirable plug must never be used without a fuse cover being fitted.

The correct replacement for the detachable fuse cover is identifiable from the manufacturer's reference number stamped on the plug.

Supply of replacement fuse covers can be obtained from Hoshizaki Parts/Service Centres.

Fuses should be rated at 12A and approved to BS 1362.

3. WATER SUPPLY AND DRAIN CONNECTIONS

WARNING

Connect to potable water supply only.

Note: A plumbing permit and services of a licensed plumber may be required in some areas.

- * The connections to the mains water supply must be made in accordance with the countries' current requirements of the Water Supply or Water Fittings Regulations.
- * Water supply pressure should be minimum 0.05 MPa (0.5 bar) and maximum 0.8 MPa (8 bar). If the pressure exceeds 0.8 MPa (8 bar), use a proper pressure reducing valve. Do NOT throttle back the supply tap.
- * The icemaker drain is gravity flow, so ensure drain pipe has an adequate pitch or fall.
- * Water should drain into an open trap.
- * Drain lines should not be piped directly to the sewer system. A vertical air gap of a minimum of 5 cm should be between the end of the drain pipes from the icemaker and the storage bin and the floor drain.
- * Water supply connection is intended to be made by means of a pipe, not a hose set.

II. OPERATING INSTRUCTIONS

WARNING

1. This icemaker is designed to produce and store edible ice. To keep the icemaker hygienic:
 - * Wash your hands before removing ice. Use the plastic scoop provided (accessory).
 - * The storage bin is for ice use only. Do not store anything else in the bin.
 - * Clean the storage bin before use (see "III. 1. CLEANING").
 - * Keep the scoop clean. Clean it by using a neutral cleaner and rinse thoroughly.
 - * Close the door after removing ice to prevent entrance of dirt, dust or insects into the storage bin.
2. The use of any electrical equipment involves the observance of some fundamental rules. In particular:
 - * Instances of high humidity and moisture increase the risk of electrical short circuits and potential electrical shocks. If in doubt, disconnect the icemaker.
 - * Do not damage the power cord or pull it in order to disconnect the icemaker from the feed network.
 - * Do not touch the electrical parts or operate the operation switch with damp

hands.

- * This appliance is not intended for use by persons (including children) with reduced physical, sensory or mental capabilities, or lack of experience and knowledge, unless they have been given supervision or instruction concerning use of the appliance by a person responsible for their safety.
- * Young children should be supervised to ensure that they do not play with the appliance.
- * Do not attempt to modify the icemaker. Only qualified personnel may disassemble or repair the appliance.

3. All parts are factory-adjusted. Improper adjustments may result in failure.

4. If the unit is turned off, wait for at least 3 minutes before restarting the icemaker to prevent damage to the compressor.

1. START UP

The installer will normally commission the icemaker to start the automatic icemaking process. To ensure continuous operation, make sure that:

- * The water supply tap is on, and
- * The icemaker is connected to the power supply.

To start the icemaking process, check the position of the operation switch on the operation panel:

“OFF” position - Move it to the “ON” position.

“ON” position - Press the ice button.

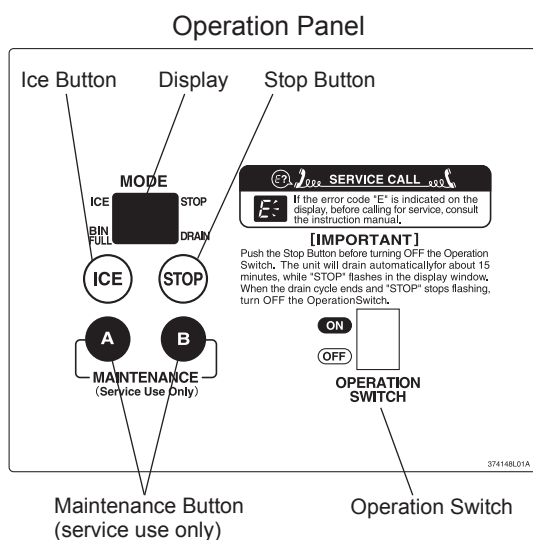


Fig. 1

2. SHUT DOWN

Push the stop button on the operation panel. The display will blink in the “STOP” mode for 15 minutes during the drain control operation and will start to illuminate constantly at the end of drain control.

3. PREPARING THE ICEMAKER FOR LONG STORAGE

- 1) Follow the instructions in “2. SHUT DOWN”.
- 2) Close the water supply line shut-off valve.
- 3) Open the drain valve.
- 4) Press the ice button on the operation panel to drain the water circuit.
- 5) When no more water comes out of the drain valve, press the stop button.
- 6) Move the operation switch to the “OFF” position, and disconnect the power supply.
- 7) Close the drain valve.
- 8) Remove all ice from the storage bin, and clean the bin.

III. MAINTENANCE

1. CLEANING

WARNING

1. Before carrying out any cleaning or maintenance operations, disconnect the icemaker from the electrical supply network.
2. Ask a trained service person to check and clean the condenser at least once a year.
3. This appliance must not be cleaned by use of a water jet.
4. To prevent possible damage, do not clean the plastic parts with water above 40°C or in a dishwasher.

ENGLISH

[1] Machine and Bin Exterior

Wipe the exterior at least once per week with a clean, soft cloth. Use a damp cloth containing a neutral cleaner to wipe off grease or dirt.

[2] Scoop Cleaning/Sanitisation (Daily)

- 1) Either mix 1 litre of water with 4 ml of 5.25% sodium hypochlorite solution in a suitable container, or the recommended Hoshizaki sanitiser as directed.
- 2) Soak the scoop in the solution for more than 3 minutes. Rinse thoroughly, and shake to remove surplus liquid.

Note: Using a cloth to dry may re-contaminate.

[3] Storage Bin Interior Cleaning/Sanitisation (Weekly)

- 1) Open the storage bin door, and remove all ice.
- 2) Remove the thumbscrews securing the baffle.
- 3) Remove the baffle from the bin.
- 4) Wash the bin liner and baffle with a neutral non-abrasive cleaner. Rinse thoroughly.
- 5) Either mix 5 litres of water with 18 ml of 5.25% sodium hypochlorite solution in a suitable container, or the recommended Hoshizaki sanitiser as directed.
- 6) Soak a clean sponge or cloth with the solution and wipe the bin liner surfaces and baffle.
- 7) Refit the baffle and thumbscrews. Wipe the surface of the bin door and thumbscrews with the solution. Close the bin door.
- 8) The remaining solution can be used to sanitise utensils.

Note: Do not wipe dry or rinse after sanitising, but allow to air dry.

[4] Storage Bin Door

Clean the storage bin door at least once a week, using a neutral non-abrasive cleaner. Rinse thoroughly after cleaning and sanitise as required.

[5] Air Filter

Plastic mesh air filters remove dirt or dust from the air, and keep the condenser from getting clogged. If the filters get clogged, the icemaker's performance will be reduced. Remove and clean the air filters at least twice per month:

- 1) Slide the air filter off the louver.
- 2) Clean the air filter by using a vacuum cleaner. When severely clogged, use warm water and a neutral cleaner to wash the air filter.
- 3) Rinse and dry the air filter thoroughly, and place it in position.

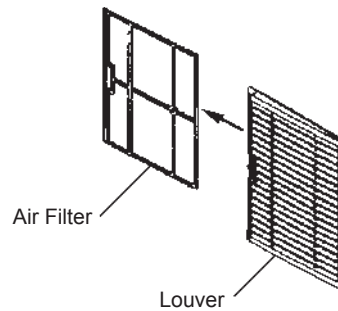


Fig. 2

2. INSPECTION AND MAINTENANCE

IMPORTANT

To achieve optimum icemaker performance, the following parts need periodic inspection and maintenance:

- Extruding head (upper bearing)
- Housing (lower bearing)
- Mechanical seal

These parts should be inspected after two years from installation or 10,000 hours of operation, whichever comes first, and once a year thereafter. Replacement of these parts is required if wear exceeds factory recommendations.

Their service life, however, depends on water quality and environment. More frequent inspection and maintenance are recommended in bad or severe water conditions.

Consult with your local Hoshizaki service agent about inspection and maintenance service.

3. SERVICE CALL

WARNING
Do not damage the refrigerant circuit.

[1] Error Code Indication

If the error code “E” is indicated on the display, before calling for service, check the following.

Code	Remedy
E0	Possibility of water leaks. Turn OFF operation switch, and turn it ON again. If error code appears again, call for service.
E1	Low ice production. Turn OFF operation switch, and turn it ON again. If error code appears again, call for service.
E2	Water supply circuit failure. Turn OFF operation switch, and turn it ON again. If error code appears again, call for service.
E3	Gear motor failure. Turn OFF operation switch, and turn it ON again after 10 minutes. If error code appears again, call for service.
E4	Abnormal high side pressure. Clean air filter. Check that icemaker is properly installed according to Installation Manual. Turn OFF operation switch, and turn it ON again. If error code appears again, call for service.
E5	Electric circuit failure. Turn OFF operation switch, and turn it ON again. If error code appears again, call for service.
E8	Compressor could be overheated. Check that icemaker is properly installed according to installation manual. Turn OFF operation switch, and turn it ON again after 10 minutes. If error code appears again, call for service.
EA	Electric circuit failure. Turn OFF operation switch, and turn it ON again. If error code appears again, call for service.
Eb	Electric circuit failure. Turn OFF operation switch, and turn it ON again. If error code appears again, call for service.
EC	Electric circuit failure. Turn OFF operation switch, and turn it ON again. If error code appears again, call for service.
EE	Gear motor failure. Turn OFF operation switch, and turn it ON again. If error code appears again, call for service.
EF	Supply voltage is too low. Check that voltage is in required range and icemaker is not sharing a single receptacle with other appliances. Turn OFF operation switch, and turn it ON again. If error code appears again, call for service.
EH	Electric circuit failure. Turn OFF operation switch, and turn it ON again. If error code appears again, call for service.
EL	Bin control switch has failed. Turn OFF operation switch, and turn it ON again. If error code appears again, call for service.
En	Electric circuit failure. Turn OFF operation switch, and turn it ON again. If error code appears again, call for service.
EU	Controller board failure. Turn OFF operation switch, and turn it ON again. If error code appears again, call for service.

[2] No Error Code Indication

If the icemaker does not work properly or does not work at all and no error code is indicated on the display, before calling for service, check that:

- * The power is supplied to the unit.
- * The water is turned on.
- * The air filter is clean.

For further assistance or advice, contact your local Hoshizaki service agent.

4. WARRANTY

Hoshizaki warrants to the original owner/user that all Hoshizaki branded products shall be free of defects in material and/or workmanship for the duration of the “warranty period”. The warranty shall be effective for two years from the date of installation.

Hoshizaki’s liability under the terms of the warranty are limited and shall exclude routine servicing, cleaning, essential maintenance and/or repairs occasioned by misuse and installations not in accordance with Hoshizaki guidelines.

Warranty repairs should be completed by an approved Hoshizaki dealer or service agency using genuine Hoshizaki components.

To obtain full details of your warranty and approved service agency, please contact your dealer/supplier, or the nearest Hoshizaki Service office in Europe:

U.K./Ireland - Hoshizaki UK
TEL: +44 (0)845 456 0585
FAX: +44 (0)1462 499080

Holland - Hoshizaki Europe
TEL: +31 (0)20 6918499
FAX: +31 (0)20 6918768

Belgium/Luxemburg - Hoshizaki Belgium
TEL: +32 (0)2 7123030
FAX: +32 (0)2 7123031

Germany/Switzerland/Austria - Hoshizaki Deutschland
TEL: +49 (0)2154 92810
FAX: +49 (0)2154 928128

France - Hoshizaki France
TEL: +33 (0)1 48639380
FAX: +33 (0)1 48639388

Spain/Portugal - Hoshizaki Iberia
TEL: +34 (0)93 4780952
FAX: +34 (0)93 4780900

ENGLISH

Other countries - Hoshizaki Europe
TEL: +31 (0)20 6918499 or +44 (0)845 456 0585
FAX: +31 (0)20 6918768 or +44 (0)1462 499080

IV. DISPOSAL

Comply with local regulations regarding disposal of the appliance for its flammable refrigerant. Before you scrap the appliance, take off the door to prevent children trapped.

Correct disposal of this product:

This marking indicates that this product should not be disposed with other household wastes throughout the EU. To prevent possible harm to the environment or human health from uncontrolled waste disposal, recycle it responsibly to promote the sustainable reuse of material resources. To return your used device, use the return and collection systems or contact the retailer where the product was purchased. They can take this product for environmental safe recycling.



This product includes a hermetically sealed refrigeration system that contains fluorinated greenhouse gases covered by the Kyoto Protocol:

FM-1000AKE(-N)	R404A / GWP 3920 / 1.350kg
FM-750AKE(-N)	R404A / GWP 3920 / 1.200kg
FM-600AKE(-N)	R404A / GWP 3920 / 1.300kg
FM-480AKE(-N)	R404A / GWP 3920 / 0.600kg
FM-300AKE(-N)	R404A / GWP 3920 / 0.460kg
FM-170AKE(-N)	R134a / GWP 1430 / 0.390kg

This product is insulated with foam blown with fluorinated greenhouse gases.

EC DECLARATION OF CONFORMITY

Manufacturer: Hoshizaki Europe Ltd.
Telford 70 Stafford Park 7, Telford,
Shropshire TF3 3BQ England

We hereby declare that the machine(s) listed below and manufactured by us meet the essential health and safety requirements demanded by the following EC regulations:

EC Regulations: EMC Directive (2004/108/EC)
Low Voltage Directive (2006/95/EC)

Harmonised European Standards applied: EN 55014-1 (EMC)
EN 55014-2 (EMC)
EN 61000-3-2 (EMC)
EN 61000-3-3 (EMC)
EN 61000-4-2 (EMC)
EN 61000-4-3 (EMC)
EN 61000-4-4 (EMC)
EN 61000-4-5 (EMC)
EN 61000-4-6 (EMC)
EN 61000-4-11 (EMC)
EN 60335-1 (LVD)
EN 60335-2-24 (LVD)
EN 62233 (EMF)

CE Marking first affixed: 2010

Product Description: Hoshizaki Ice Maker

Model(s): FM-1000AKE, FM-1000AKE-N
FM-750AKE, FM-750AKE-N
FM-600AKE, FM-600AKE-N
FM-480AKE, FM-480AKE-N
FM-300AKE, FM-300AKE-N
FM-170AKE, FM-170AKE-N

Name: Akira Oi

Position: Managing Director

This declaration will no longer be valid if any alterations are made to the machine(s) without our approval.

IMPORTANT

1. Ce livret est un élément essentiel qui fait partie intégrante du produit et il doit être conservé soigneusement par l'utilisateur. Veuillez lire attentivement les conseils et avertissements qu'il contient car ils ont pour but de fournir à l'utilisateur des informations essentielles pour la bonne utilisation et l'entretien correct du produit. En outre, il fournit à l'utilisateur des INDICATIONS sur les utilisations et les emplacements corrects de la machine à glace. Veuillez conserver précieusement ce livret pour toute référence ultérieure.
2. Cette machine à glace a été conçue pour des applications commerciales ; elle ne peut être utilisée qu'aux fins auxquelles elle est expressément destinée. Toute autre utilisation doit être considérée comme inappropriée et donc dangereuse. Le fabricant décline toute responsabilité pour les dégâts provoqués par une utilisation inappropriée, incorrecte et abusive.

I. CONSIGNES D'INSTALLATION

AVERTISSEMENT

1. **L'installation doit être effectuée par un personnel qualifié**, conformément aux réglementations en vigueur et aux consignes du fabricant.
2. Veillez à ce que les ouvertures de ventilation de l'enceinte de l'appareil et de la structure intégrée ne soient pas obstruées.

1. EMPLACEMENT

IMPORTANT

1. Cette machine à glace n'est pas conçue pour être utilisée à l'extérieur. La température ambiante normale de service doit être comprise entre 5 °C et 40 °C. La température normale de service de l'eau doit être comprise entre 5 °C et 35 °C. Un fonctionnement prolongé de la machine en dehors de ces plages de températures risque d'affecter la capacité de production de glace.
2. La machine à glace ne doit pas être placée à proximité de fours, de grills ou de toute autre source de chaleur importante.
3. La machine doit avoir une assise solide et horizontale.

4. Pour assurer une bonne circulation d'air et faciliter les opérations de maintenance ou d'entretien, prévoir 15 cm de dégagement à l'arrière et sur les côtés (FM-600AKE: 30 cm) de la machine. Pour pouvoir déposer l'extrudeuse, prévoir un dégagement de 60 cm sur le dessus.
5. Cette machine ne doit pas être installée dans un local où l'on risque d'utiliser un jet d'eau ou dans lequel l'utilisation de matériel produisant des gouttes d'eau est préjudiciable.
6. Ne rien poser sur le dessus de la machine ni devant le volet d'aération.

2. BRANCHEMENTS ELECTRIQUES

AVERTISSEMENT

CET APPAREIL DOIT ETRE MIS A LA TERRE

Cette machine à glace doit avoir une mise à la terre qui respecte les réglementations électriques nationales et locales. Pour éviter tout risque de décharges électriques graves ou de dégâts importants au matériel, installer un câble de mise à la terre approprié sur la machine. Avant toute opération de maintenance, réparation ou nettoyage, débrancher l'alimentation électrique.

- * Cet appareil nécessite une alimentation séparée de 220 - 240VAC, 17A (FM-1000, 600) / 12A (FM-750, 480) / 8A (FM-300) / 7A (FM-170). L'alimentation électrique doit être protégée par un disjoncteur approprié.
- * En général, l'installation nécessite une autorisation pour travaux électriques et les services d'un électricien qualifié.

[FM-1000, 600]

- * Si le cordon et/ou la fiche d'alimentation électrique sont à remplacer, l'opération doit être effectuée par un technicien qualifié.
- * Le câblage fixe doit comprendre un moyen de débranchement à partir de l'alimentation, avec une séparation de contact d'au moins 3 mm sur tous les pôles.

[FM-750, 480, 300, 170]


- * Si le cordon d'alimentation est endommagé, il doit être remplacé par un cordon ou un assemblage spécial disponible auprès du fabricant ou de son réparateur.

Pour le Royaume-Uni et la République d'Irlande uniquement

* Les fils du cordon d'alimentation électrique présentent le codage couleur suivant :

Vert et jaune = Terre
Bleu = Neutre
Marron = Sous tension

La couleur des conducteurs du cordon d'alimentation de cet appareil peut ne pas correspondre au marquage couleur des bornes de votre fiche ; dans ce cas, procéder comme suit :

Le fil vert et jaune doit être relié à la borne de la fiche repérée par la lettre E ou par le symbole  ou la couleur verte ou verte et jaune. Le conducteur bleu doit être raccordé à la borne portant la lettre N ou de couleur noire. Le conducteur marron doit être raccordé à la borne portant la lettre L ou de couleur rouge.

* Si la fiche livrée avec la machine ne convient pas aux prises du local d'installation, l'enlever (la couper s'il s'agit d'une fiche moulée) et en monter une autre.

Après avoir enlevé une fiche non récupérable, vous devez la jeter. Vous ne devez en aucun cas essayer de la réutiliser. L'insertion de ce type de fiche dans une autre prise présente des risques graves de décharges électriques.

* La fiche non récupérable ne doit jamais être utilisée sans un protège-fusible.

Le numéro de référence du protège-fusible amovible est imprimé sur la fiche. Utiliser cette référence pour toute commande de pièce.

Il est possible de se procurer des protège-fusibles de remplacement auprès des centres de pièces détachées et d'entretien Hoshizaki.

La capacité nominale des fusibles doit être de 12 A ; ils doivent être agréés selon la norme BS 1362.

3. BRANCHEMENTS D'ARRIVEE ET DE VIDANGE D'EAU

AVERTISSEMENT

Raccorder à l'alimentation en eau potable uniquement.

Remarque : Dans certaines régions, il est possible qu'il faille obtenir une autorisation pour effectuer les travaux de plomberie et avoir recours aux services d'un plombier autorisé.

* Les raccordements à l'alimentation en eau du réseau doivent être réalisés conformément aux exigences nationales en vigueur des réglementations sur l'alimentation en eau ou les raccords.

* La pression de l'alimentation en eau doit être de 0,05 MPa (0,5 bar) au minimum et de 0,8 MPa (8 bar) au maximum. Si la pression dépasse 0,8 MPa (8 bar), utiliser un réducteur de pression approprié. Ne PAS réduire l'ouverture du robinet d'alimentation.

* La vidange d'eau de la machine à glace s'effectue par gravité : le tuyau de vidange doit donc avoir une inclinaison ou une hauteur de chute suffisantes.

* L'eau doit être évacuée dans un bac ouvert.

* Les tuyaux de vidange ne doivent pas être reliés directement à l'égout. L'extrémité des tuyaux de vidange de la machine à glace doit être espacée d'au moins 5 cm à la verticale par rapport au bac de stockage et à l'évacuation de sol.

* La connexion de l'alimentation en eau est censée être faite par un tuyau en dur et non pas souple.

II. CONSIGNES D'UTILISATION

AVERTISSEMENT

1. Cette machine à glace est conçue pour produire et stocker de la glace alimentaire. Pour la maintenir dans un parfait état d'hygiène :
 - * Se laver les mains avant d'extraire la glace. Utiliser la pelle en plastique (accessoire) prévue à cet effet.
 - * Le bac de stockage est destiné uniquement à la glace. N'entreposer que de la glace dans ce bac.
 - * Avant d'utiliser la machine, nettoyer le bac de stockage (voir « III. 1. NETTOYAGE »).
 - * Conserver la pelle en bon état de propreté. La nettoyer en utilisant un produit nettoyant neutre et la rincer soigneusement.
 - * Une fois la glace retirée, fermer la porte pour éviter que des saletés, de la poussière ou des insectes ne s'introduisent dans le bac de stockage.

2. L'utilisation de tout appareil électrique implique le respect de certaines règles fondamentales. En particulier :

- * En cas de forte humidité, les risques de court-circuit et d'électrocution augmentent. En cas de doute, débrancher la machine à glace.
- * Ne pas endommager le cordon d'alimentation et ne pas tirer sur le cordon d'alimentation pour débrancher la machine à glace.
- * Ne pas toucher les pièces électriques ou le bouton de marche/arrêt avec les mains humides.
- * Cet appareil n'a pas été conçu pour être utilisé par des personnes (enfants compris) aux capacités physiques, sensorielles ou mentales réduites, ni par des personnes dont l'expérience et les connaissances sont limitées, sauf si elles sont sous la surveillance d'une personne responsable de leur sécurité ou que celle-ci leur a donné des instructions relatives à l'utilisation de l'appareil.
- * Surveiller les jeunes enfants pour éviter qu'ils ne jouent avec l'appareil.
- * Ne pas tenter de modifier la machine à glace. Cet appareil ne peut être démonté ou réparé que par du personnel qualifié.

3. Toutes les pièces sont réglées en usine. Tout mauvais réglage risque de provoquer une panne.

4. Après avoir arrêté l'appareil, attendre au moins 3 minutes avant de le remettre sous tension pour éviter d'endommager le compresseur.

1. MISE EN MARCHÉ

L'installateur met généralement la machine à glace en service pour mettre en route la production automatique de glace. Afin de garantir un fonctionnement en continu, s'assurer que :

- * Le robinet d'arrivée d'eau est ouvert et
- * La machine à glace est branchée sur l'alimentation électrique.

Pour démarrer le processus de fabrication de la glace, contrôler la position du bouton de marche/arrêt du panneau de commande :

Position « OFF » (Arrêt) - Mettre le bouton en position « ON » (Marche).

Position « ON » (Marche) - Appuyer sur le bouton ICE (Glace).

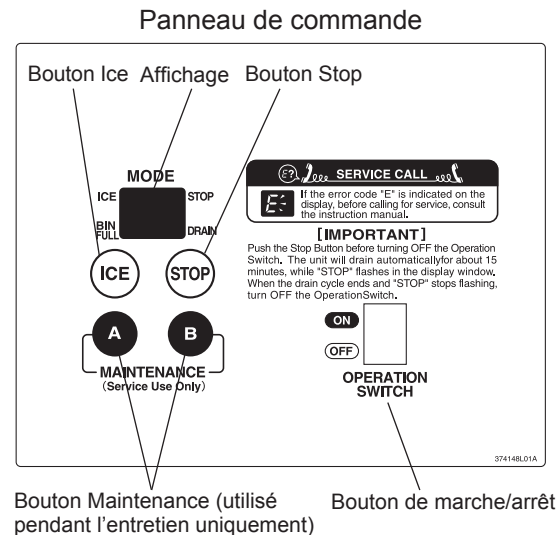


Fig. 1

2. ARRÊT

Appuyer sur le bouton Stop du panneau de commande. L'affichage clignotera en mode « STOP » pendant 15 minutes durant l'opération de commande de vidange et s'allumera en continu à la fin de la commande de vidange.

3. PREPARATION DU DISTRIBUTEUR DE GLACE EN VUE D'UN ENTREPOSAGE DE LONGUE DUREE

- 1) Suivre les instructions de la section « 2. ARRÊT ».
- 2) Fermer la vanne d'arrêt de la conduite d'alimentation d'eau.
- 3) Ouvrir le robinet de vidange.
- 4) Appuyer sur le bouton Ice du panneau de commande pour vidanger le circuit d'eau.
- 5) Quand il n'y a plus d'eau à s'écouler du robinet de vidange, appuyer sur le bouton Stop.
- 6) Mettre le bouton de marche/arrêt sur « OFF » et débrancher l'alimentation électrique.
- 7) Fermer le robinet de vidange.
- 8) Retirer toute la glace se trouvant dans le bac de stockage et nettoyer le bac.

III. ENTRETIEN

1. NETTOYAGE

AVERTISSEMENT

1. Avant toute opération de nettoyage ou d'entretien, débrancher l'alimentation électrique de la machine à glace.
2. Demander à un technicien qualifié de contrôler et de nettoyer le condenseur au moins une fois par an.
3. Cet appareil ne doit pas être nettoyé à l'aide d'un jet d'eau.
4. Afin d'éviter tout dommage possible, ne nettoyez pas les pièces en plastique avec de l'eau à plus de 40 °C ou dans un lave-vaisselle.

[1] Extérieur de la machine et du bac

Essuyer l'extérieur au moins une fois par semaine à l'aide d'un chiffon doux et propre. Pour éliminer les traces de graisse ou les salissures, utiliser un chiffon imbibé d'un produit de nettoyage neutre.

[2] Nettoyage/désinfection de la pelle (quotidiennement)

- 1) Mélanger 1 litre d'eau avec 4 ml de solution d'hypochlorite de sodium à 5,25 % dans un récipient adapté ou utiliser le désinfectant Hoshizaki en suivant les instructions d'utilisation du produit.
- 2) Plonger la pelle dans la solution pendant plus de 3 minutes. Rincer à fond et agiter pour éliminer l'excédent de liquide.

Remarque : L'utilisation d'un chiffon pour sécher la pelle risque de la recontaminer.

[3] Nettoyage/désinfection de l'intérieur du bac de stockage (chaque semaine)

- 1) Ouvrir la porte du bac de stockage et retirer toute la glace.
- 2) Retirer les vis à oreilles qui maintiennent le déflecteur.
- 3) Retirer le déflecteur du bac.
- 4) Laver le revêtement du bac avec un produit nettoyant neutre non abrasif. Rincer soigneusement.

- 5) Mélanger 5 litres d'eau avec 18 ml de solution d'hypochlorite de sodium à 5,25 % dans un récipient adapté ou utiliser le désinfectant Hoshizaki en suivant les instructions d'utilisation du produit.

- 6) Imbiber de solution une éponge ou un chiffon propre et essuyer le revêtement du bac et le déflecteur.

- 7) Réinstaller le déflecteur et les vis à oreilles. Essuyer la surface de la porte du bac et les vis à oreilles avec la solution. Fermer la porte du bac.

- 8) Vous pouvez utiliser le reste de la solution pour désinfecter les ustensiles.

Remarque : Après désinfection, ne pas sécher ni rincer. Laisser sécher à l'air.

[4] Porte du bac de stockage

Nettoyer la porte du bac de stockage au moins une fois par semaine en utilisant un produit de nettoyage neutre non abrasif. Rincer soigneusement après le nettoyage et désinfecter si nécessaire.

[5] Filtre à air

Des filtres à air en plastique permettent de filtrer les impuretés et la poussière de l'air, et empêchent l'obturation du condenseur. En cas de colmatage des filtres, les performances de la machine à glace seront affectées. Déposer et nettoyer les filtres à air au moins deux fois par mois :

- 1) Faire glisser le filtre à air hors du volet d'aération.
- 2) Utiliser un aspirateur pour nettoyer le filtre à air. En cas de colmatage important, laver le filtre en utilisant une solution d'eau chaude et de produit nettoyant neutre.
- 3) Rincer le filtre et bien le sécher avant de le reposer.

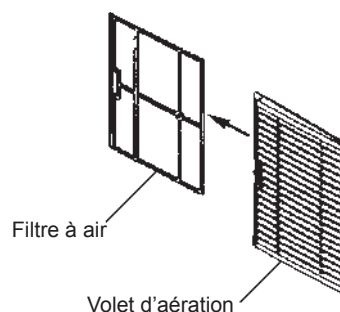


Fig. 2

2. INSPECTION ET ENTRETIEN

IMPORTANT

Pour obtenir des performances optimales de votre machine à glace, il est nécessaire d'effectuer une inspection et un entretien périodiques sur les pièces suivantes :

- Tête d'extrusion (palier supérieur)
- Carter (palier inférieur)
- Joint mécanique

Ces pièces doivent être inspectées après deux ans à compter de l'installation ou après 10 000 heures de fonctionnement, selon la première échéance, puis une fois par an. Le remplacement de ces pièces est requis si l'usure dépasse les recommandations d'usine. Cependant, leur durée de vie dépend de la qualité de l'eau et de l'environnement. Il est recommandé d'intensifier la fréquence des inspections et entretiens si l'eau est de mauvaise qualité.

Consultez le réparateur Hoshizaki le plus proche de chez vous pour les opérations d'inspection et d'entretien.

3. APPEL DU RÉPARATEUR

AVERTISSEMENT

Veiller à ne pas endommager le circuit réfrigérant.

[1] Affichage d'un code d'erreur

Si un code d'erreur « E » s'affiche à l'écran, effectuer les contrôles suivants avant d'appeler un réparateur.

Code	Solution
E0	Il se peut qu'il y ait des fuites d'eau. Mettre le bouton de marche/arrêt sur OFF (Arrêt) et remettre celui-ci sur ON (Marche). Si ce code d'erreur apparaît à nouveau, appeler le réparateur.
E1	Faible production de glace Mettre le bouton de marche/arrêt sur OFF (Arrêt) et remettre celui-ci sur ON (Marche). Si ce code d'erreur apparaît à nouveau, appeler le réparateur.
E2	Défaillance du circuit d'alimentation en eau. Mettre le bouton de marche/arrêt sur OFF (Arrêt) et remettre celui-ci sur ON (Marche). Si ce code d'erreur apparaît à nouveau, appeler le réparateur.
E3	Défaillance du motoréducteur. Mettre le bouton de marche/arrêt sur OFF (Arrêt) et remettre celui-ci sur ON (Marche) au bout de 10 minutes. Si ce code d'erreur apparaît à nouveau, appeler le réparateur.
E4	Pression côté haut anormale Nettoyer le filtre à air. Vérifier que la machine à glace est correctement installée, conformément au Manuel d'installation. Mettre le bouton de marche/arrêt sur OFF (Arrêt) et remettre celui-ci sur ON (Marche). Si ce code d'erreur apparaît à nouveau, appeler le réparateur.

E5	Défaillance du circuit électrique. Mettre le bouton de marche/arrêt sur OFF (Arrêt) et remettre celui-ci sur ON (Marche). Si ce code d'erreur apparaît à nouveau, appeler le réparateur.
E8	Surchauffe éventuelle du compresseur. Vérifier que la machine à glace est correctement installée, conformément au Manuel d'installation. Mettre le bouton de marche/arrêt sur OFF (Arrêt) et remettre celui-ci sur ON (Marche) au bout de 10 minutes. Si ce code d'erreur apparaît à nouveau, appeler le réparateur.
EA	Défaillance du circuit électrique. Mettre le bouton de marche/arrêt sur OFF (Arrêt) et remettre celui-ci sur ON (Marche). Si ce code d'erreur apparaît à nouveau, appeler le réparateur.
Eb	Défaillance du circuit électrique. Mettre le bouton de marche/arrêt sur OFF (Arrêt) et remettre celui-ci sur ON (Marche). Si ce code d'erreur apparaît à nouveau, appeler le réparateur.
EC	Défaillance du circuit électrique. Mettre le bouton de marche/arrêt sur OFF (Arrêt) et remettre celui-ci sur ON (Marche). Si ce code d'erreur apparaît à nouveau, appeler le réparateur.
EE	Défaillance du motoréducteur. Mettre le bouton de marche/arrêt sur OFF (Arrêt) et remettre celui-ci sur ON (Marche). Si ce code d'erreur apparaît à nouveau, appeler le réparateur.
EF	Tension d'alimentation trop élevée. Vérifier si la tension se trouve dans les limites requises et si la machine à glace ne partage pas la prise de courant avec d'autres appareils. Mettre le bouton de marche/arrêt sur OFF (Arrêt) et remettre celui-ci sur ON (Marche). Si ce code d'erreur apparaît à nouveau, appeler le réparateur.
EH	Défaillance du circuit électrique. Mettre le bouton de marche/arrêt sur OFF (Arrêt) et remettre celui-ci sur ON (Marche). Si ce code d'erreur apparaît à nouveau, appeler le réparateur.
EL	Défaillance du commutateur de commande de bac. Mettre le bouton de marche/arrêt sur OFF (Arrêt) et remettre celui-ci sur ON (Marche). Si ce code d'erreur apparaît à nouveau, appeler le réparateur.
En	Défaillance du circuit électrique. Mettre le bouton de marche/arrêt sur OFF (Arrêt) et remettre celui-ci sur ON (Marche). Si ce code d'erreur apparaît à nouveau, appeler le réparateur.
EU	Défaillance de la carte contrôleur. Mettre le bouton de marche/arrêt sur OFF (Arrêt) et remettre celui-ci sur ON (Marche). Si ce code d'erreur apparaît à nouveau, appeler le réparateur.

[2] Aucun affichage d'un code d'erreur

Si la machine à glace ne fonctionne pas correctement ou pas du tout et qu'aucun code d'erreur ne s'affiche à l'écran, effectuer les contrôles suivants avant d'appeler un réparateur :

- * L'appareil est sous tension.
- * Le robinet d'eau est ouvert.
- * Le filtre à air est propre.

Pour tout autre conseil ou assistance, contacter le réparateur Hoshizaki le plus proche de chez vous.

4. GARANTIE

Hoshizaki garantit au propriétaire/à l'utilisateur d'origine que tous les produits portant la marque Hoshizaki seront exempts de tout défaut et/ou vice

de fabrication au cours de la « période de garantie ». La garantie est valable deux ans à compter de la date d'installation.

La responsabilité de Hoshizaki aux termes de la garantie est limitée et exclut les interventions d'entretien de routine, de nettoyage, de maintenance essentielle et/ou les réparations découlant d'une utilisation abusive et d'installations non conformes aux directives de Hoshizaki.

Les réparations effectuées au titre de la garantie doivent être effectuées par un revendeur ou un réparateur agréé Hoshizaki utilisant des composants Hoshizaki d'origine.

Pour tout renseignement sur votre garantie et les réparateurs agréés, veuillez contacter votre revendeur/fournisseur ou le centre de réparation Hoshizaki européen le plus proche :

Royaume-Uni/Irlande - Hoshizaki UK

TEL. : +44 (0)845 456 0585

FAX : +44 (0)1462 499080

Pays-Bas - Hoshizaki Europe

TEL. : +31 (0)20 6918499

FAX : +31 (0)20 6918768

Belgique/Luxembourg - Hoshizaki Belgium

TEL. : +32 (0)2 7123030

FAX : +32 (0)2 7123031

Allemagne/Suisse/Autriche - Hoshizaki

Deutschland

TEL. : +49 (0)2154 92810

FAX : +49 (0)2154 928128

France - Hoshizaki France

TEL. : +33 (0)1 48639380

FAX : +33 (0)1 48639388

Espagne/Portugal - Hoshizaki Iberia

TEL. : +34 (0)93 4780952

FAX : +34 (0)93 4780900

Autres pays - Hoshizaki Europe

TEL. : +31 (0)20 6918499 ou +44 (0)845 456 0585

FAX : +31 (0)20 6918768 ou +44 (0)1462 499080

IV. MISE AU REBUT

Respecter les réglementations locales relatives à la mise au rebut de l'appareil en raison de son réfrigérant inflammable. Avant de mettre l'appareil au rebut, enlever la porte pour éviter qu'un enfant ne reste emprisonné.

Mise au rebut correcte de ce produit :

Ce symbole indique que ce produit ne doit pas être mis au rebut avec d'autres déchets ménagers dans l'UE. Pour empêcher que le dépôt non contrôlé de déchets ne nuise à l'environnement ou à la santé, recycler ce produit de manière responsable de sorte que les ressources matérielles soient réutilisées durablement. Pour se débarrasser de l'appareil usagé, s'adresser aux services de collecte de déchets ou contacter le détaillant où le produit a été acheté. Ils peuvent prendre en charge ce produit et le recycler de manière respectueuse pour l'environnement.



Ce produit comprend un système de réfrigération hermétiquement fermé qui contient des gaz à effet de serre fluorés couverts par le Protocole de Kyoto :

FM-1000AKE(-N) R404A / GWP 3920 / 1.350kg

FM-750AKE(-N) R404A / GWP 3920 / 1.200kg

FM-600AKE(-N) R404A / GWP 3920 / 1.300kg

FM-480AKE(-N) R404A / GWP 3920 / 0.600kg

FM-300AKE(-N) R404A / GWP 3920 / 0.460kg

FM-170AKE(-N) R134a / GWP 1430 / 0.390kg

Ce produit est isolé à l'aide de mousse soufflée avec des gaz à effet de serre fluorés.

DECLARATION DE CONFORMITE CE

Constructeur : Hoshizaki Europe Ltd.
Telford 70 Stafford Park 7, Telford,
Shropshire TF3 3BQ Angleterre

Nous affirmons par la présente que les machines indiquées ci-après ont été fabriquées par notre société en conformité avec les normes essentielles de santé et de sécurité fixées par les réglementations CE suivantes :

Réglementations CE : Directive EMC (2004/108/CE)
Directive basse tension (2006/95/CE)

Normes européennes harmonisées appliquées : EN 55014-1 (EMC)
EN 55014-2 (EMC)
EN 61000-3-2 (EMC)
EN 61000-3-3 (EMC)
EN 61000-4-2 (EMC)
EN 61000-4-3 (EMC)
EN 61000-4-4 (EMC)
EN 61000-4-5 (EMC)
EN 61000-4-6 (EMC)
EN 61000-4-11 (EMC)
EN 60335-1 (LVD)
EN 60335-2-24 (LVD)
EN 62233 (EMF)

Date initiale du marquage CE : 2010

Description du produit : Machine à glace Hoshizaki

Modèle(s) : FM-1000AKE, FM-1000AKE-N
FM-750AKE, FM-750AKE-N
FM-600AKE, FM-600AKE-N
FM-480AKE, FM-480AKE-N
FM-300AKE, FM-300AKE-N
FM-170AKE, FM-170AKE-N

Nom : Akira Oi

Titre : Directeur

La validité de la présente déclaration sera annulée si des modifications sont apportées à ces machines sans notre autorisation.

WICHTIG

1. Diese Broschüre ist ein integraler und wesentlicher Bestandteil des Produkts und ist deshalb vom Benutzer aufzubewahren. Bitte lesen Sie die Hinweise und Warnungen sorgfältig durch, da sie wichtige Informationen für eine fortgesetzte, sichere Verwendung und Wartung des Produkts enthalten. Außerdem gibt sie dem Benutzer NUR HINWEISE zur richtigen Wartung und zum Standort des Eisbereiters. Bitte heben Sie diese Bedienungsanleitung auf, damit Sie bei Bedarf darauf zurückgreifen können.
2. Dies ist ein Eisbereiter für den gewerblichen Einsatz, der ausschließlich für den vorgesehenen Zweck zu benutzen ist. Jede andere Verwendung ist als Zweckentfremdung und somit als gefährlich anzusehen. Der Hersteller übernimmt keine Haftung oder Verantwortung für Schäden, die durch missbräuchliche, falsche oder unangemessene Verwendung verursacht werden.

I. INSTALLATIONSANLEITUNG

WARNUNG

1. **Die Installation ist von qualifiziertem Personal** in Übereinstimmung mit geltenden Vorschriften nach Angaben des Herstellers auszuführen.
2. Die Lüftungsöffnungen im Gerätegehäuse oder im Innern des Gerätes nicht blockieren.

1. AUFSTELLORT

WICHTIG

1. Dieser Eisbereiter eignet sich nicht für den Gebrauch im Freien. Für Normalbetrieb muss die Raumtemperatur zwischen 5°C und 40°C und die Wassertemperatur zwischen 5°C und 35°C liegen. Längerer Gebrauch des Eisbereiters bei Temperaturen außerhalb dieser normalen Temperaturgrenzwerte kann die Produktionsleistung beeinträchtigen.
2. Der Eiswürfelbereiter darf nicht neben Öfen, Grills oder anderen Geräten aufgestellt werden, die Hitze erzeugen.
3. Der Aufstellort für das Gerät muss stabil und eben sein.

4. An den Seiten (FM-600AKE: 30 cm) und hinten muss ein Abstand von 15 cm eingehalten werden, um eine optimale Luftzirkulation zu gewährleisten und die Wartung bzw. Pflege des Gerätes zu erleichtern. Oben einen Abstand von 60 cm zwecks Ausbau der Schnecke einräumen.
5. Dieses Gerät eignet sich nicht für die Aufstellung in Räumen, in denen eventuell ein Wasserstrahl benutzt wird oder in denen ein Abtropfen nicht zulässig ist.
6. Stellen Sie bitte nichts auf die Deckplatte oder vor das Luftgitter des Eisbereiters.

2. ELEKTRISCHE ANSCHLÜSSE

WARNUNG

DIESES GERÄT MUSS GEERDET WERDEN

Dieser Eisbereiter erfordert einen Schutzkontakt, der nationalen und lokalen Bestimmungen entspricht. Um schwere Körperverletzungen und Beschädigungen des Gerätes infolge eines elektrischen Schlages zu vermeiden, ist ein ordnungsgemäßer Erdleiter am Eisbereiter anzubringen. Die Stromversorgung ausschalten, bevor Wartungs-, Reparatur- oder Reinigungsarbeiten vorgenommen werden.

- * Dieses Gerät benötigt eine separate Stromversorgung mit 220 - 240VAC, 17A (FM-1000, 600) / 12A (FM-750, 480) / 8A (FM-300) / 7A (FM-170). Die Stromversorgung muss mit einem geeigneten Leistungsschutzschalter gesichert werden.
- * In der Regel wird hierzu ein Elektriker mit entsprechender Qualifikation und Zulassung benötigt.

[FM-1000, 600]

- * Das Auswechseln des Netzkabels oder des Netzsteckers sollte nur von einer qualifizierten Fachkraft ausgeführt werden.
- * Die ortsfeste Leitungsführung muss die Möglichkeit der Unterbrechung von der Stromzufuhr enthalten, wobei alle Pole eine Kontaktunterbrechung von mindestens 3 mm aufweisen müssen.

[FM-750, 480, 300, 170]

- * Ist das Netzkabel beschädigt, muss es durch ein vom Hersteller oder von einem autorisierten Kundendienst erhältliches Spezialkabel ersetzt werden.

DEUTSCH

Nur für das Vereinigte Königreich und die Republik Irland

- * Die Drähte im Netzkabel sind nach dem folgenden Farbcode gekennzeichnet:

Grün & Gelb = Erde
Blau = Nullleiter
Braun = spannungsführender Leiter

Die Farben der Adern im Netzkabel dieses Geräts stimmen möglicherweise nicht mit den Farbmarkierungen in Ihrem Stecker überein, daher bitte immer wie folgt verfahren:

Der grün-gelbe Leiter ist an die Klemme anzuschließen, die mit dem Buchstaben E oder dem Symbol \perp bzw. grün oder gelb-grün markiert ist. Die blaue Ader ist an die Klemme anzuschließen, die mit dem Buchstaben N oder schwarz markiert ist. Die braune Ader ist an die Klemme anzuschließen, die mit dem Buchstaben L oder rot markiert ist.

- * Falls der mit dem Gerät gelieferte Stecker für die Netzsteckdose am Installationsort ungeeignet ist, muss er entfernt (bzw. wenn er verkapselt ist, abgeschnitten) und durch einen passenden Stecker ersetzt werden.

Ein abgeschnittener, verkapselter (nicht zugänglicher Stecker) muss entsorgt werden. Versuchen Sie nicht, ihn wiederzuverwenden. Durch die Verwendung eines solchen Steckers in einer anderen Steckdose besteht die Gefahr eines elektrischen Schlags.

- * Der verkapselte Stecker ist nie ohne angebrachte Sicherungsabdeckung zu verwenden.

Der richtige Ersatz für die abnehmbare Sicherungsabdeckung lässt sich anhand der Hersteller-Referenznummer ermitteln, die auf den Stecker gestanzt ist.

Ersatzabdeckungen für Sicherungen sind von Hoshizaki-Ersatzteil-/Service-Zentren erhältlich.

Sicherungen sollten mit 12 A ausgelegt sein und die Norm BS 1362 erfüllen.

3. WASSERZULAUF- UND WASSERABLAUFANSCHLÜSSE

— WARNUNG —

Nur an einen Trinkwasseranschluss anschließen.

Hinweis: In bestimmten Gebieten sind eine Installationsgenehmigung und der Anschluss durch einen zugelassenen Installateur erforderlich.

- * Die Anschlüsse an die Hauptwasserversorgung müssen entsprechend den Anforderungen der aktuellen Wasserversorgungs- oder Wasseranschlussbestimmungen ausgeführt werden.
- * Der Versorgungswasserdruck muss mindestens 0,05 MPa (0,5 bar) und darf höchstens 0,8 MPa (8 bar) betragen. Bei einem höheren Druck als 0,8 MPa (8 bar) ist ein geeignetes Druckreduzierventil zu verwenden. Die Wasserzufuhr am Hahn selbst darf NICHT gedrosselt werden.
- * Der Abfluss des Wassers aus dem Eisbereiter erfolgt durch Schwerkraft, daher ist auf ein ausreichendes Gefälle der Ablaufleitung zu achten.
- * Das Wasser muss in einen offenen Abflusskanal ablaufen.
- * Die Verrohrung von Ablaufleitungen sollte nicht direkt in das Abwassersystem führen. Vom Ablaufleitungsende des Eisbereiters und des Vorratsbehälters sollte mindestens ein 5 cm hoher vertikaler Luftspalt zum Bodenablauf verbleiben.
- * Der Wasserzufuhranschluss sollte mit einem Rohr und nicht mit einem Schlauchsatz durchgeführt werden.

II. BEDIENUNGSANLEITUNG

— WARNUNG —

1. Dieser Eisbereiter ist für die Herstellung und Aufbewahrung von Speiseeis vorgesehen. Aus Gründen der Hygiene:
 - * Bitte immer die Hände waschen, bevor Eis entnommen wird. Zum Entnehmen von Eis immer die Kunststoffschaufel (Zubehör) verwenden.
 - * Der Vorratsbehälter ist ausschließlich für Eis zu verwenden. Nichts anderes im Vorratsbehälter aufbewahren.
 - * Vorratsbehälter vor der Verwendung reinigen (siehe „III. 1. REINIGUNG“).
 - * Die Eisschaufel sauber halten. Stets ein neutrales Reinigungsmittel verwenden und gründlich abspülen.
 - * Nach der Eisentnahme immer die Tür schließen, um Eindringen von Schmutz, Staub oder Ungeziefer in den Vorratsbehälter zu verhindern.

2. Wie bei allen Elektrogeräten sind stets einige grundsätzliche Vorsichtsmaßnahmen zu beachten. Insbesondere:

- * Bei hoher Feuchtigkeit oder Nässe besteht Kurzschlussgefahr, wodurch ein elektrischer Schlag verursacht werden kann. Im Zweifelsfall ist der Netzstecker des Eisbereiters zu ziehen.
- * Das Stromkabel nicht beschädigen und nicht daran ziehen, um den Eisbereiter vom Netz zu trennen.
- * Die elektrischen Komponenten und den Netzschalter nicht mit feuchten Händen berühren.
- * Dieses Gerät darf nicht von Personen (einschl. Kindern) benutzt werden, deren physische, sensorische oder mentale Fähigkeiten eingeschränkt sind, die über keine Erfahrung und kein Wissen verfügen, es sei denn, sie werden von einer für ihre Sicherheit verantwortlichen Person bei der Benutzung des Gerätes beaufsichtigt oder angeleitet.
- * Jüngere Kinder sollten beaufsichtigt werden, um sicherzustellen, dass sie mit dem Gerät nicht spielen.
- * Am Eisbereiter dürfen keine Änderungen vorgenommen werden. Das Gerät darf nur von Fachpersonal zerlegt oder instandgesetzt werden.

3. Alle Komponenten wurden werksseitig eingestellt. Unsachgemäße Einstellarbeiten können die ordnungsgemäße Funktion des Eispenders beeinträchtigen.

4. Um eine Beschädigung des Verdichters zu vermeiden, nach Ausschalten des Eisbereiters mindestens 3 Minuten lang warten, bevor das Gerät wieder eingeschaltet wird.

1. INBETRIEBNAHME

Der Installateur nimmt den Eisbereiter normalerweise in Betrieb, so dass die automatische Eisherstellung beginnt. Für Dauerbetrieb ist darauf zu achten:

- * dass der Wasserhahn geöffnet ist und
- * dass der Eisbereiter an das Netz angeschlossen ist.

Um mit der Eisproduktion zu beginnen, die Position des Betriebsschalters auf der Bedienungstafel kontrollieren:

- „OFF“-Position - in die „ON“-Position stellen.
- „ON“-Position - die Ice Taste drücken.

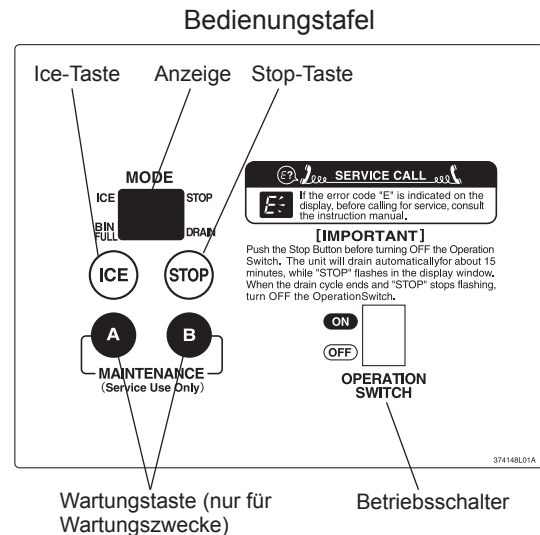


Abb. 1

2. AUSSCHALTEN

Die Stop-Taste auf der Bedienungstafel drücken. Die Anzeige wird im Modus „STOP“ 15 Minuten lang während der Ablasskontrollfunktion blinken, und danach permanent aufleuchten, um das Ende der Ablasskontrolle anzuzeigen.

3. MASSNAHMEN FÜR DIE LANGFRISTIGE LAGERUNG DES EISSPENDERS

- 1) Den Anweisungen unter „2. AUSSCHALTEN“ folgen.
- 2) Das Wasserzulauf-Absperrventil schließen.
- 3) Das Ablaufventil öffnen.
- 4) Die Ice-Taste auf der Bedienungstafel drücken, um das Wasser aus dem Wasserkreislauf zu entleeren.
- 5) Wenn kein Wasser mehr aus dem Ablaufventil abläuft, die Stop-Taste drücken.
- 6) Den Netzschalter auf „OFF“ stellen und die Verbindung zur Stromversorgung trennen.
- 7) Das Ablaufventil schließen.
- 8) Alles Eis aus dem Vorratsbehälter entfernen, und diesen reinigen.

III. WARTUNG

1. REINIGUNG

— WARNUNG —

1. Vor dem Durchführen irgendwelcher Reinigungs- oder Wartungsarbeiten immer den Netzstecker des Eisbereiters abziehen.
2. Mindestens einmal im Jahr den Kondensator von einer geschulten Fachkraft überprüfen und reinigen lassen.
3. Dieses Gerät darf nicht mit einem Wasserstrahl gereinigt werden.
4. Um Beschädigungen zu vermeiden, Kunststoffteile nicht mit über 40°C heißem Wasser oder in einem Geschirrspüler reinigen.

[1] Maschine und Außenseite des Vorratsbehälters

Alle Außenflächen mindestens einmal in der Woche mit einem sauberen, weichen Tuch abwischen. Fett- und Schmutzspuren mit einem feuchten Tuch und neutralem Reinigungsmittel entfernen.

[2] Reinigung/Desinfektion der Eisschaufel (täglich)

- 1) In einem geeigneten Behälter entweder 1 l Wasser mit 4 ml einer 5,25%igen Natriumhypochloritlösung mischen oder den empfohlenen Hoshizaki-Desinfizierer wie beschrieben verwenden.
- 2) Die Eisschaufel länger als 3 Minuten in der Lösung baden. Gründlich spülen und zum Entfernen der Restflüssigkeit gut schütteln.

Hinweis: Abtrocknen mit einem Tuch kann zu erneuter Verschmutzung führen.

[3] Reinigung/Desinfektion der Innenflächen des Vorratsbehälters (wöchentlich)

- 1) Vorratsbehältertür öffnen und sämtliches Eis entfernen.
- 2) Die Flügelschrauben, welche die Trennwand fixieren, entfernen.
- 3) Die Trennwand aus dem Vorratsbehälter herausnehmen.
- 4) Innenwände des Vorratsbehälters und Trennwand mit einem neutralen, nicht scheuernden Reinigungsmittel waschen. Gründlich spülen.

5) In einem geeigneten Behälter entweder 5 l Wasser mit 18 ml einer 5,25%igen Natriumhypochloritlösung mischen oder den empfohlenen Hoshizaki-Desinfizierer wie beschrieben verwenden.

6) Einen sauberen Schwamm oder ein Tuch mit der Lösung tränken und die Trennwand und Oberflächen des Vorratsbehälters abwischen.

7) Trennwand und Flügelschrauben wieder anbringen. Die Oberfläche der Vorratsbehältertür und die Flügelschrauben mit der Lösung abwischen. Die Vorratsbehältertür schließen.

8) Mit der restlichen Lösung kann Zubehör desinfiziert werden.

Hinweis: Nach dem Desinfizieren weder trockenwischen noch spülen, sondern trocknen lassen.

[4] Vorratsbehältertür

Die Vorratsbehältertür mindestens einmal pro Woche mit einem neutralen, nicht scheuernden Reinigungsmittel abwaschen. Nach dem Reinigen gründlich spülen und nach Bedarf desinfizieren.

[5] Luftfilter

Maschen- oder Siebfilter aus Kunststoff entfernen Schmutz oder Staub aus der Luft und verhindern das Verstopfen des Verflüssigers. Wenn die Filter verstopfen, nimmt die Leistung des Eisbereiters ab. Die Luftfilter mindestens zweimal monatlich herausnehmen und reinigen:

- 1) Den Luftfilter vom Luftgitter schieben.
- 2) Luftfilter mit einem Staubsauger reinigen. Falls er sehr verstopft ist, Luftfilter mit warmem Wasser und einem Neutralreiniger waschen.
- 3) Den Luftfilter gründlich spülen, trocknen und wieder einzusetzen.

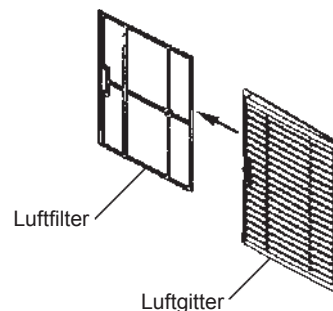


Abb. 2

2. INSPEKTION UND WARTUNG

WICHTIG

Folgende Teile müssen regelmäßig überprüft und gewartet werden, um eine optimale Leistung des Eisbereiters sicherzustellen:

- Presskopf (oberes Lager)
- Gehäuse (unteres Lager)
- Mechanische Dichtung

Diese Teile sollten zwei Jahre nach Installation oder nach 10.000 Betriebsstunden überprüft werden, je nachdem, welche Bedingung zuerst zutrifft. Anschließend sollte eine jährliche Überprüfung erfolgen. Bei Überschreiten der vom Hersteller angegebenen Verschleißgrenzen sind diese Teile zu ersetzen.

Allerdings hängt die tatsächliche Nutzungsdauer dieser Teile von der Wasserqualität und den Betriebsbedingungen ab. Bei schlechter Wasserqualität oder ungünstigen Betriebsbedingungen empfiehlt sich eine häufigere Überprüfung und Wartung.

Bei Fragen zu Inspektion und Wartung wenden Sie sich bitte an Ihren örtlichen Hoshizaki-Kundendienst.

3. WARTUNGSDIENST

WARNUNG

Den Kältekreislauf nicht beschädigen.

[1] Fehlercodeanzeige

Wenn der Fehlercode „E“ auf der Anzeige aufleuchtet, überprüfen Sie das Folgende, bevor Sie den Wartungsdienst anrufen.

Code	Abhilfe
E0	Möglichkeit von Wasserlecks. Den Betriebsschalter auf „OFF“ und anschließend wieder auf „ON“ stellen. Falls der Fehlercode nochmals aufleuchtet, den Wartungsdienst rufen.
E1	Schwache Eisproduktion. Den Betriebsschalter auf „OFF“ und anschließend wieder auf „ON“ stellen. Falls der Fehlercode nochmals aufleuchtet, den Wartungsdienst rufen.
E2	Fehler im Wasserzufuhrkreislauf. Den Betriebsschalter auf „OFF“ und anschließend wieder auf „ON“ stellen. Falls der Fehlercode nochmals aufleuchtet, den Wartungsdienst rufen.
E3	Ausfall des Getriebemotors. Den Betriebsschalter auf „OFF“ stellen und nach 10 Minuten wieder auf „ON“. Falls der Fehlercode nochmals aufleuchtet, den Wartungsdienst rufen.
E4	Ungewöhnlich hoher Seitendruck. Luftfilter säubern. Kontrollieren, dass der Eisbereiter entsprechend der Installationsanleitung installiert worden ist. Den Betriebsschalter auf „OFF“ und anschließend wieder auf „ON“ stellen. Falls der Fehlercode nochmals aufleuchtet, den Wartungsdienst rufen.

E5	Stromkreisausfall. Den Betriebsschalter auf „OFF“ und anschließend wieder auf „ON“ stellen. Falls der Fehlercode nochmals aufleuchtet, den Wartungsdienst rufen.
E8	Der Kompressor könnte überhitzt sein. Kontrollieren, dass der Eisbereiter entsprechend der Installationsanleitung installiert worden ist. Den Betriebsschalter auf „OFF“ stellen und nach 10 Minuten wieder auf „ON“. Falls der Fehlercode nochmals aufleuchtet, den Wartungsdienst rufen.
EA	Stromkreisausfall. Den Betriebsschalter auf „OFF“ und anschließend wieder auf „ON“ stellen. Falls der Fehlercode nochmals aufleuchtet, den Wartungsdienst rufen.
Eb	Stromkreisausfall. Den Betriebsschalter auf „OFF“ und anschließend wieder auf „ON“ stellen. Falls der Fehlercode nochmals aufleuchtet, den Wartungsdienst rufen.
EC	Stromkreisausfall. Den Betriebsschalter auf „OFF“ und anschließend wieder auf „ON“ stellen. Falls der Fehlercode nochmals aufleuchtet, den Wartungsdienst rufen.
EE	Ausfall des Getriebemotors. Den Betriebsschalter auf „OFF“ und anschließend wieder auf „ON“ stellen. Falls der Fehlercode nochmals aufleuchtet, den Wartungsdienst rufen.
EF	Zufuhrspannung ist zu niedrig. Kontrollieren, dass sich die Spannung im erforderlichen Bereich befindet, und dass der Eisbereiter keine Steckdose mit anderen Geräten teilt. Den Betriebsschalter auf „OFF“ und anschließend wieder auf „ON“ stellen. Falls der Fehlercode nochmals aufleuchtet, den Wartungsdienst rufen.
EH	Stromkreisausfall. Den Betriebsschalter auf „OFF“ und anschließend wieder auf „ON“ stellen. Falls der Fehlercode nochmals aufleuchtet, den Wartungsdienst rufen.
EL	Die Vorratsbehälter-Kontrolltaste ist ausgefallen. Den Betriebsschalter auf „OFF“ und anschließend wieder auf „ON“ stellen. Falls der Fehlercode nochmals aufleuchtet, den Wartungsdienst rufen.
En	Stromkreisausfall. Den Betriebsschalter auf „OFF“ und anschließend wieder auf „ON“ stellen. Falls der Fehlercode nochmals aufleuchtet, den Wartungsdienst rufen.
EU	Kontrolltafel ausfall. Den Betriebsschalter auf „OFF“ und anschließend wieder auf „ON“ stellen. Falls der Fehlercode nochmals aufleuchtet, den Wartungsdienst rufen.

[2] Keine Fehlercodeanzeige

Wenn der Eisbereiter nicht richtig oder gar nicht funktioniert und keine Fehlercodeanzeige aufleuchtet, kontrollieren Sie das Folgende, bevor Sie den Wartungsdienst anrufen:

- * Das Gerät ist mit dem Stromnetz verbunden.
- * Das Wasser ist eingeschaltet.
- * Der Luftfilter ist sauber.

Wenn Sie weitere Hilfe oder Rat benötigen, wenden Sie sich an Ihren Hoshizaki-Kundendienst.

4. GEWÄHRLEISTUNG

Hoshizaki garantiert dem Originalbesitzer/-benutzer, dass alle Markenprodukte von Hoshizaki für die Dauer der „Garantiezeit“ frei von Material- und/oder Verarbeitungsfehlern sind. Die Garantie gilt für zwei Jahre ab Datum der Installation.

DEUTSCH

Die Haftung von Hoshizaki nach diesen Garantiebedingungen ist begrenzt. Sie schließt Routinewartung und Reinigung sowie Wartungs- und/oder Reparaturarbeiten aus, die durch missbräuchliche Benutzung oder fehlerhafte Installation verursacht worden sind.

Garantiereparaturen sind von einem zugelassenen Hoshizaki-Händler oder -Kundendienst mit Hoshizaki-Originalbauteilen auszuführen.

Für vollständige Informationen über Garantie und zugelassene Kundendienste setzen Sie sich bitte mit Ihrem Händler/Lieferanten oder dem nächstgelegenen Hoshizaki-Servicebüro in Europa in Verbindung:

Großbritannien/Irland - Hoshizaki UK
TEL: +44 (0)845 456 0585
FAX: +44 (0)1462 499080

Niederlande - Hoshizaki Europe
TEL: +31 (0)20 6918499
FAX: +31 (0)20 6918768

Belgien/Luxemburg - Hoshizaki Belgium
TEL: +32 (0)2 7123030
FAX: +32 (0)2 7123031

Deutschland/Schweiz/Österreich - Hoshizaki
Deutschland
TEL: +49 (0)2154 92810
FAX: +49 (0)2154 928128

Frankreich - Hoshizaki France
TEL: +33 (0)1 48639380
FAX: +33 (0)1 48639388

Spanien/Portugal - Hoshizaki Iberia
TEL: +34 (0)93 4780952
FAX: +34 (0)93 4780900

Andere Länder - Hoshizaki Europe
TEL: +31 (0)20 6918499 oder +44 (0)845 456 0585
FAX: +31 (0)20 6918768 oder +44 (0)1462 499080

IV. ENTSORGUNG

Die gesetzlichen Bestimmungen zur Entsorgung des im Gerät enthaltenen brennbaren Kältemittels müssen eingehalten werden. Vor dem Verschrotten des Gerätes die Tür abnehmen, um zu vermeiden, dass sich Kinder im Gerät versehentlich einschließen.

Richtige Entsorgung dieses Gerätes:

Dieses Kennzeichen bedeutet, dass dieses Gerät in der EU nicht mit dem normalen Haushaltsmüll entsorgt werden darf. Um Schäden der Umwelt oder der menschlichen Gesundheit durch un-



kontrollierte Müllbeseitigung zu vermeiden, recyceln Sie das Gerät und fördern Sie damit die nachhaltige Wiederverwertung von stofflichen Ressourcen. Nutzen Sie die Rückgabe- und Sammelsysteme oder wenden Sie sich an den Händler, bei dem Sie das Gerät gekauft haben, um das gebrauchte Gerät zurückzugeben. Dort wird das Gerät der umweltfreundlichen Wiederverwertung zugeführt.

Dieses Produkt enthält ein hermetisch abgeschlossenes Kältesystem mit fluorierten Treibhausgasen nach dem Kyoto-Protokoll:

FM-1000AKE(-N)	R404A / GWP 3920 / 1.350kg
FM-750AKE(-N)	R404A / GWP 3920 / 1.200kg
FM-600AKE(-N)	R404A / GWP 3920 / 1.300kg
FM-480AKE(-N)	R404A / GWP 3920 / 0.600kg
FM-300AKE(-N)	R404A / GWP 3920 / 0.460kg
FM-170AKE(-N)	R134a / GWP 1430 / 0.390kg

Für die Isolierung dieses Produktes wurde mit fluorierten Treibhausgasen aufgeschäumter Schaumstoff verwendet.

EC-KONFORMITÄTSERKLÄRUNG

Hersteller: Hoshizaki Europe Ltd.
Telford 70 Stafford Park 7, Telford,
Shropshire TF3 3BQ England

Wir erklären hiermit, dass das unten aufgeführte Gerät, das von uns hergestellt wird, die wesentlichen Sicherheits- und Gesundheitsanforderungen der folgenden EU-Richtlinien erfüllt:

EG-Richtlinien: Richtlinie zur elektromagnetischen Verträglichkeit
(2004/108/EG)
Niederspannungsrichtlinie (2006/95/EG)

Angewandte harmonisierte europäische Normen: EN 55014-1 (EMV)
EN 55014-2 (EMV)
EN 61000-3-2 (EMV)
EN 61000-3-3 (EMV)
EN 61000-4-2 (EMV)
EN 61000-4-3 (EMV)
EN 61000-4-4 (EMV)
EN 61000-4-5 (EMV)
EN 61000-4-6 (EMV)
EN 61000-4-11 (EMV)
EN 60335-1 (LVD)
EN 60335-2-24 (LVD)
EN 62233 (EMV)

CE-Kennzeichnung zum ersten Mal angewendet: 2010

Produktbeschreibung: Hoshizaki Eisbereiter

Modell(e): FM-1000AKE, FM-1000AKE-N
FM-750AKE, FM-750AKE-N
FM-600AKE, FM-600AKE-N
FM-480AKE, FM-480AKE-N
FM-300AKE, FM-300AKE-N
FM-170AKE, FM-170AKE-N

Name: Akira Oi

Position: Managing Director

Alle Änderungen, die ohne unsere Zustimmung an der (den) Maschine(n) vorgenommen werden, machen diese Konformitätserklärung ungültig.

BELANGRIJK

1. Dit boekje vormt een integraal en essentieel onderdeel van het product en moet goed worden bewaard door de gebruiker. Lees de richtlijnen en waarschuwingen in dit boekje zorgvuldig door, aangezien deze bedoeld zijn om de gebruiker van essentiële informatie te voorzien met betrekking tot duurzaam veilig gebruik en onderhoud van het product. Bovendien biedt het **UITSLUITEND ADVIEZEN** voor de gebruiker ten aanzien van de juiste bediening en de juiste locatie van de ijsmachine. Bewaar dit boekje zodat u het later, indien nodig, opnieuw kunt raadplegen.
2. Dit is een ijsmachine voor commerciële doeleinden en dit apparaat dient uitsluitend te worden gebruikt voor de toepassingen waarvoor het is ontworpen. Enige andere vorm van gebruik wordt als ongeschikt en dus gevaarlijk beschouwd. De fabrikant kan niet aansprakelijk of verantwoordelijk worden gesteld voor enige schade die ontstaat door ongeschikt, incorrect en onredelijk gebruik.

I. INSTALLATIE-INSTRUCTIES

WAARSCHUWING

1. **De installatie van de ijsdispenser mag uitsluitend door gekwalificeerd personeel** en overeenkomstig de plaatselijk geldende voorschriften worden uitgevoerd, waarbij de instructies van de fabrikant dienen te worden gevolgd.
2. Houd ventilatieopeningen, zowel in de behuizing van de machine als in de inbouwstructuur, vrij van obstakels.

1. PLAATSING

BELANGRIJK

1. Deze ijsmachine is niet bestemd voor gebruik buitenshuis. De omgevingstemperatuur moet tussen 5°C en 40°C liggen en de watertemperatuur tussen 5°C en 35°C. Langdurig gebruik van de ijsmachine buiten de genoemde temperatuurwaarden kan de productiecapaciteit nadelig beïnvloeden.
2. De ijsmachine mag niet naast een oven, grill of andere apparatuur die veel warmte afgeeft worden geplaatst.

3. De machine moet waterpas op een stevige ondergrond worden geplaatst.
4. Houd aan de achterkant en de zijkanten (FM-600AKE: 30 cm) een vrije ruimte van 15 cm. Dit zorgt voor een optimale luchtcirculatie en vergemakkelijkt onderhouds- en/of reparatiewerkzaamheden. Houd aan de bovenkant een vrije ruimte aan van 60 cm om de worm te kunnen verwijderen.
5. De machine mag niet worden geplaatst in een ruimte die met een waterstraal wordt schoongespoten of in ruimten waar veel condensvocht is.
6. Plaats geen andere apparaten of voorwerpen bovenop de ijsmachine of voor de ventilatieopening.

2. ELEKTRISCHE AANSLUITINGEN

WAARSCHUWING

DEZE MACHINE MOET WORDEN GEAARD

Deze ijsmachine moet worden geaard volgens de geldende voorschriften. Ter voorkoming van ernstig persoonlijk letsel en materiële schade als gevolg van elektrische schokken, dient deze ijsmachine te worden voorzien van een correct aangebrachte aardleiding. Verwijder de stekker uit het stopcontact voordat u onderhouds-, reparatie- of reinigingswerkzaamheden gaat uitvoeren.

- * Voor dit apparaat is een apart stopcontact van 220 - 240VAC, 17A (FM-1000, 600) / 12A (FM-750, 480) / 8A (FM-300) / 7A (FM-170) vereist. Het stopcontact moet worden beschermd door een geschikte stroomonderbreker.
- * Normaalgesproken dient men te beschikken over de juiste vergunningen en/of de hulp in te roepen van een erkend elektricien.

[FM-1000, 600]

- * Wanneer de netvoedingskabel en/of stekker vervangen moet worden, mag dit alleen worden gedaan door een erkend onderhoudsmonteur.
- * De vaste bedrading moet over een manier voor loskoppeling van de voeding beschikken met een contactscheiding van minimaal 3 mm in elke pool.

[FM-750, 480, 300, 170]


- * Wanneer de netvoedingskabel is beschadigd, moet deze worden vervangen door een speciale kabel of constructie van de fabrikant of de dealer.

Alleen voor het Verenigd Koninkrijk en Ierland

- * De draden van de netvoeding hebben een kleurcode:

Groen/geel = aarde
Blauw = neutraal
Bruin = stroomvoerend

Als de gekleurde draden in de voedingskabel van deze machine zijn aangesloten op stekkerpolen met een afwijkende kleur, dient u het volgende te doen:

Sluit de groen/gele draad in de stekker aan op de groen/gele of groene stekkerpool of anders op de stekkerpool die is aangeduid met de letter E of het symbool . Sluit de blauwe draad aan op de zwarte stekkerpool of op de stekkerpool die is aangeduid met de letter N. Sluit de bruine draad aan op de rode stekkerpool of op de stekkerpool die is aangeduid met de letter L.

- * Als het stopcontact waarop u de ijsmachine wilt aansluiten niet geschikt is voor de stekker die aan de voedingskabel van de ijsmachine zit, dient de stekker te worden verwijderd (een gegoten stekker wordt afgesneden) en vervangen door een geschikte stekker.

De gegoten stekker die van de voedingskabel is afgesneden, moet worden weggegooid. Hij mag niet opnieuw worden gebruikt. Wanneer deze stekker elders in een stopcontact wordt gestoken, zorgt dit voor een groot risico van elektrische schokken.

- * De gegoten stekker mag uitsluitend in combinatie met een zekeringhouder worden gebruikt.

Het referentienummer van de fabrikant is in de stekker ingeslagen. In geval u de zekeringhouder vervangt, dient een vervangend exemplaar van hetzelfde type te worden gebruikt.

Zekeringhouders zijn te verkrijgen via de onderdelen- en servicecentra van Hoshizaki.

Gebruik zekeringen van 12 A die zijn goedgekeurd volgens BS 1362.

3. AANSLUITING VAN WATERTOEVOER- EN WATERAFVOERLEIDINGEN

WAARSCHUWING

Mag alleen worden aangesloten op een drinkwaterleiding.

Opmerking: In sommige gebieden kan een loodgietersvergunning of het inschakelen van een erkend loodgieter verplicht zijn.

- * De aansluitingen aan de drinkwaterleiding moeten worden uitgevoerd in overeenstemming met de huidige vereisten van het land in de regelgeving met betrekking tot watertoevoer of -accessoires.
- * De watertoevoerdruk moet tenminste 0,05 MPa (0,5 bar) bedragen en mag niet hoger dan 0,8 MPa (8 bar) zijn. Als de waterdruk hoger is dan 0,8 MPa (8 bar), moet gebruik worden gemaakt van een reduceerventiel. De watertoevoerkraan mag voor dit doel NIET gedeeltelijk worden dichtgedraaid.
- * De waterafvoer van de ijsmachine stroomt onder natuurlijk verval; de afvoerslang moet dus voldoende verval hebben.
- * Water moet worden afgevoerd in een open waterslot.
- * Afvoerleidingen mogen niet rechtstreeks op de riolering worden aangesloten. Houd een verticale luchtopening van minimaal 5 cm aan tussen het uiteinde van de afvoerleidingen van ijsmachine en bunker en de vloerafvoer.
- * De watertoevoer moet worden aangesloten met een pijp, niet met een slang.

II. BEDIENING

WAARSCHUWING

- Deze ijsmachine is bestemd voor de productie en opslag van consumptie-ijs. Neem de volgende punten in acht om de ijsmachine schoon te houden:
 - * Was uw handen voordat u ijs uit het apparaat verwijdert. Gebruik de meegeleverde kunststof schep (toebehoren).
 - * De bunker is uitsluitend bestemd voor de opslag van ijs. Bewaar geen andere zaken in de bunker.
 - * Maak voor ingebruikname van de ijsmachine eerst de bunker schoon (zie 'III. 1. REINIGEN').

- * Houd de ijsschep schoon. Gebruik voor het reinigen een neutraal reinigingsmiddel en spoel grondig na.
- * Sluit de bunkerdeur onmiddellijk nadat u ijs heeft geschept om te voorkomen dat stof, vuil of insecten in de bunker terechtkomen.

2. Bij het gebruik van elektrische apparaten, moeten bepaalde regels in acht worden genomen. In het bijzonder:

- * Vocht en hoge luchtvochtigheid verhogen de kans op kortsluiting en elektrische schokken. Trek de stekker van de ijsmachine uit het stopcontact als u niet zeker bent van de condities in de ruimte waar de ijsmachine is geplaatst.
- * Voorkom beschadiging van de voedingskabel en trek uitsluitend aan de stekker en niet aan de voedingskabel zelf als u de ijsmachine van de netvoeding wilt loskoppelen.
- * Raak de elektrische onderdelen of de bedieningsschakelaar niet met vochtige handen aan.
- * Dit apparaat is niet bedoeld voor gebruik door personen (inclusief kinderen) met verminderde fysieke, zintuiglijke of geestelijke capaciteiten, of een gebrek aan ervaring en kennis, tenzij dit gebeurt onder toezicht of na het verkrijgen van instructies met betrekking tot het gebruik van een persoon die verantwoordelijk is voor hun veiligheid.
- * Jonge kinderen moeten worden begeleid om er zeker van te zijn dat zij niet met het apparaat gaan spelen.
- * Probeer niet de ijsmachine aan te passen. Alleen bevoegd personeel mag het apparaat demonteren of repareren.

3. Alle onderdelen zijn in de fabriek afgesteld. Onjuiste aanpassingen kunnen leiden tot storingen.

4. Om schade aan de compressor te voorkomen, dient u minstens 3 minuten te wachten met het opnieuw inschakelen van de ijsmachine nadat deze is uitgeschakeld.

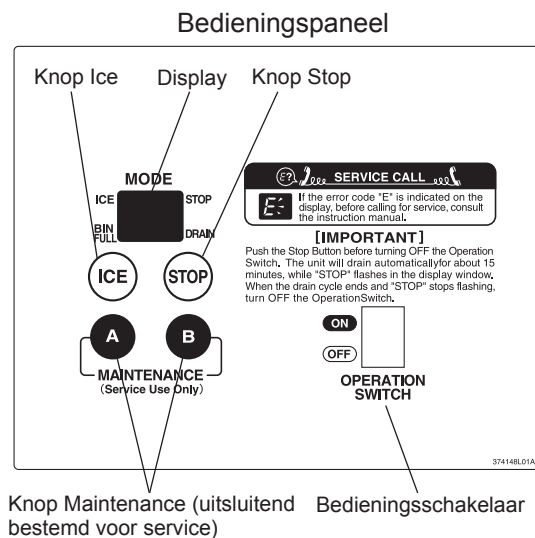
1. OPSTARTEN

Gewoonlijk wordt de ijsmachine door de installateur in gebruik genomen, waarbij de automatische ijsproductie wordt gestart. Controleer het volgende om een continue werking te waarborgen:

- * De waterkraan moet openstaan en
- * De ijsmachine moet zijn aangesloten op de voeding.

Start de ijsproductie door de stand van de bedieningsschakelaar op het bedieningspaneel te controleren:

Stand 'OFF' - Zet de bedieningsschakelaar op 'ON'.
Stand 'ON' - Druk op de knop Ice.



Afb. 1

2. UITZETTEN

Druk op de knop Stop op het bedieningspaneel. Het display knippert gedurende 15 minuten in de modus 'STOP' tijdens de werking van de afvoerbediening en begint weer continu te branden zodra de afvoerbediening is voltooid.

3. DE IJSMAKER GEREEDMAKEN VOOR LANGDURIGE OPSLAG

- 1) Volg de instructies in '2. UITZETTEN'.
- 2) Sluit de afsluitklep van de watertoevoerleiding.
- 3) Open de afvoerklep.
- 4) Druk op de knop Ice op het bedieningspaneel om het watercircuit leeg te maken.
- 5) Druk als er geen water meer uit de afvoerklep komt op de knop Stop.
- 6) Zet de bedieningsschakelaar op 'OFF' en verwijder de stekker uit het stopcontact.
- 7) Sluit de afvoerklep.
- 8) Verwijder alle ijs uit de bunker en maak de bunker schoon.

III. ONDERHOUD

1. REINIGEN

WAARSCHUWING

1. Haal de stekker van de ijsmachine uit het stopcontact voordat u met schoonmaak- of onderhoudswerkzaamheden begint.
2. Vraag een bevoegde servicemedewerker om de condensor minstens éénmaal per jaar te controleren en schoon te maken.
3. Deze machine mag niet worden gereinigd met behulp van een waterstraal of hogedrukreiniger.
4. Voorkom mogelijke schade door de kunststof onderdelen niet met water warmer dan 40°C of in een afwasmachine te reinigen.

[1] Machine en buitenkant bunker

Reinig de buitenkant van de ijsmachine minstens eenmaal per week met een schone, zachte doek. Gebruik een vochtige doek met wat neutraal reinigingsmiddel voor het verwijderen van vet en vuil.

[2] Schoonmaken/ontsmetten van de ijsschep (dagelijks)

- 1) Meng 1 liter water met 4 ml 5,25% natriumhypochlorietoplossing in een geschikte houder of gebruik een door Hoshizaki aanbevolen ontsmettingsmiddel.
- 2) Week de schep gedurende meer dan 3 minuten in de oplossing. Spoel de schep zorgvuldig af met water en schud om overtollig water te verwijderen.

Opmerking: door het gebruik van een doek kan de schep opnieuw vuil worden.

[3] Schoonmaken/ontsmetten van de binnenkant van de bunker (wekelijks)

- 1) Open de bunkerklep en verwijder al het ijs uit de bunker.
- 2) Verwijder de schroeven waarmee de zeefplaat is bevestigd.
- 3) Verwijder de zeefplaat uit de bunker.

4) Reinig de binnenzijde van de bunker en de zeefplaat met een neutraal, niet-schurend schoonmaakmiddel. Spoel de onderdelen zorgvuldig af.

5) Meng 5 liter water met 18 ml 5,25% natriumhypochlorietoplossing in een geschikte houder of gebruik een door Hoshizaki aanbevolen ontsmettingsmiddel.

6) Dompel een schone spons of doek in de oplossing en veeg de binnenzijde van de bunker en de zeefplaat schoon.

7) Plaats de zeefplaat terug en draai de schroeven vast. Veeg de bunkerklep en de schroeven af met de reinigungsoplossing. Sluit de bunkerklep.

8) De resterende oplossing kan worden gebruikt voor het ontsmetten van gebruiksvoorwerpen.

Opmerking: veeg of spoel voorwerpen niet af nadat u ze hebt ontsmet, maar laat ze drogen in de lucht.

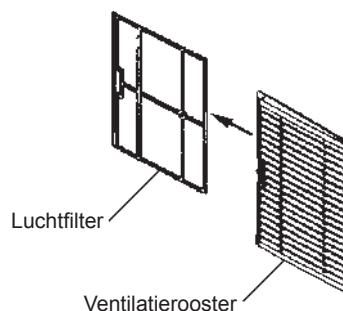
[4] Bunkerklep

Maak de bunkerklep minimaal één keer per week schoon met een neutraal, niet-schurend reinigingsmiddel. Spoel de klep na het schoonmaken zorgvuldig na en ontsmet deze indien nodig.

[5] Luchtfilter

Kunststof luchtfilters halen vuil en stof uit de lucht en voorkomen dat de condensor verstopt raakt. Als de filters verstopt raken, gaat de ijsmachine minder goed werken. De luchtfilters moeten minstens tweemaal per maand worden verwijderd en gereinigd:

- 1) Schuif het luchtfilter van het ventilatierooster.
- 2) Reinig het luchtfilter met behulp van een stofzuiger. Gebruik bij ernstige vervuiling warm water en een neutraal schoonmaakmiddel om het luchtfilter schoon te maken.



Afb. 2

NEDERLANDS

3) Spoel het luchtfilter goed schoon, droog het grondig af en breng het vervolgens weer in de juiste positie aan.

2. INSPECTIE EN ONDERHOUD

BELANGRIJK

Voor optimale prestaties van de ijsmachine moeten de volgende onderdelen periodiek worden geïnspecteerd en onderhouden:

- Perskop (bovenste lager)
- Behuizing (onderste lager)
- Mechanische afdichting

Deze onderdelen moeten twee jaar na installatie of na 10.000 bedrijfsuren (wat het eerst van toepassing is) worden geïnspecteerd. Vervolgens moet elk jaar een inspectie plaatsvinden. Deze onderdelen moeten worden vervangen wanneer ze zodanig zijn versleten dat ze niet meer voldoen aan de fabrieksaanbevelingen.

De gebruiksduur van deze onderdelen is echter afhankelijk van de waterkwaliteit en de omgeving. Frequentere inspecties en onderhoudsbeurten worden daarom aanbevolen wanneer sprake is van slechte of zeer slechte waterkwaliteit.

Neem contact op met uw plaatselijke Hoshizaki-serviceagent voor inspectie- en onderhoudsbeurten.

3. SERVICEAANVRAAG

WAARSCHUWING

Beschadig het koelmiddelcircuit niet.

[1] Indicatie van foutcode

Als de foutcode 'E' wordt aangegeven op het display, controleert u het volgende voordat u contact opneemt met de serviceorganisatie.

Code	Oplissing
E0	Mogelijke waterlekkages. Zet de bedieningsschakelaar op OFF en vervolgens weer op ON. Als de foutcode opnieuw verschijnt, neemt u contact op met de serviceorganisatie.
E1	Lage ijsproductie. Zet de bedieningsschakelaar op OFF en vervolgens weer op ON. Als de foutcode opnieuw verschijnt, neemt u contact op met de serviceorganisatie.
E2	Storing bij watertoevoercircuit. Zet de bedieningsschakelaar op OFF en vervolgens weer op ON. Als de foutcode opnieuw verschijnt, neemt u contact op met de serviceorganisatie.

E3	Storing in aandrijfmotor. Zet de bedieningsschakelaar op OFF en vervolgens, na 10 minuten, weer op ON. Als de foutcode opnieuw verschijnt, neemt u contact op met de serviceorganisatie.
E4	Abnormaal hoge druk. Reinig luchtfilter. Controleer aan de hand van de installatiehandleiding of de ijsmachine correct is geïnstalleerd. Zet de bedieningsschakelaar op OFF en vervolgens weer op ON. Als de foutcode opnieuw verschijnt, neemt u contact op met de serviceorganisatie.
E5	Storing in het elektrische circuit. Zet de bedieningsschakelaar op OFF en vervolgens weer op ON. Als de foutcode opnieuw verschijnt, neemt u contact op met de serviceorganisatie.
E8	Compressor mogelijk oververhit. Controleer aan de hand van de installatiehandleiding of de ijsmachine correct is geïnstalleerd. Zet de bedieningsschakelaar op OFF en vervolgens, na 10 minuten, weer op ON. Als de foutcode opnieuw verschijnt, neemt u contact op met de serviceorganisatie.
EA	Storing in het elektrische circuit. Zet de bedieningsschakelaar op OFF en vervolgens weer op ON. Als de foutcode opnieuw verschijnt, neemt u contact op met de serviceorganisatie.
Eb	Storing in het elektrische circuit. Zet de bedieningsschakelaar op OFF en vervolgens weer op ON. Als de foutcode opnieuw verschijnt, neemt u contact op met de serviceorganisatie.
EC	Storing in het elektrische circuit. Zet de bedieningsschakelaar op OFF en vervolgens weer op ON. Als de foutcode opnieuw verschijnt, neemt u contact op met de serviceorganisatie.
EE	Storing in aandrijfmotor. Zet de bedieningsschakelaar op OFF en vervolgens weer op ON. Als de foutcode opnieuw verschijnt, neemt u contact op met de serviceorganisatie.
EF	Voedingsvoltage te laag. Controleer of het voltage zich in het vereiste bereik bevindt en of de ijsmachine niet één stopcontact moet delen met andere apparaten. Zet de bedieningsschakelaar op OFF en vervolgens weer op ON. Als de foutcode opnieuw verschijnt, neemt u contact op met de serviceorganisatie.
EH	Storing in het elektrische circuit. Zet de bedieningsschakelaar op OFF en vervolgens weer op ON. Als de foutcode opnieuw verschijnt, neemt u contact op met de serviceorganisatie.
EL	Bunkerschakelaar werkt niet. Zet de bedieningsschakelaar op OFF en vervolgens weer op ON. Als de foutcode opnieuw verschijnt, neemt u contact op met de serviceorganisatie.
En	Storing in het elektrische circuit. Zet de bedieningsschakelaar op OFF en vervolgens weer op ON. Als de foutcode opnieuw verschijnt, neemt u contact op met de serviceorganisatie.
EU	Storing aan de besturingsprintplaat. Zet de bedieningsschakelaar op OFF en vervolgens weer op ON. Als de foutcode opnieuw verschijnt, neemt u contact op met de serviceorganisatie.

[2] Geen indicatie van foutcode

Als de ijsmachine niet goed of helemaal niet werkt en er wordt geen foutcode aangegeven op het display, controleert u het volgende voordat u contact opneemt met de serviceorganisatie:

- * De machine heeft stroom.
- * De watertoevoer is ingeschakeld.
- * Het luchtfilter is schoon.

Neem voor nadere assistentie of advies contact op met uw plaatselijke Hoshizaki-serviceagent.

4. GARANTIE

Hoshizaki garandeert de oorspronkelijke eigenaar/gebruiker dat alle producten van het merk Hoshizaki vrij zijn van materiaal- en/of productiefouten voor de duur van de 'garantieperiode'. De garantie is twee jaar geldig gerekend vanaf de installatiedatum.

De aansprakelijkheid van Hoshizaki in het kader van de garantie is beperkt en omvat geen routineonderhoud, reiniging, essentieel onderhoud en/of reparaties ten gevolge van onjuist gebruik en installaties die niet volgens de richtlijnen van Hoshizaki zijn uitgevoerd.

Reparaties in het kader van de garantie moeten worden uitgevoerd door een goedgekeurde Hoshizaki-dealer of serviceorganisatie met behulp van authentieke Hoshizaki-onderdelen.

Voor volledige informatie over uw garantie en over goedgekeurde servicebedrijven, raadpleegt u uw dealer/leverancier of de dichtstbijzijnde servicevestiging van Hoshizaki in Europa:

Verenigd Koninkrijk/Ierland - Hoshizaki UK

TEL: +44 (0)845 456 0585

FAX: +44 (0)1462 499080

Nederland - Hoshizaki Europe

TEL: +31 (0)20 6918499

FAX: +31 (0)20 6918768

België/Luxemburg - Hoshizaki Belgium

TEL: +32 (0)2 7123030

FAX: +32 (0)2 7123031

Duitsland/Zwitserland/Oostenrijk - Hoshizaki Deutschland

TEL: +49 (0)2154 92810

FAX: +49 (0)2154 928128

Frankrijk - Hoshizaki France

TEL: +33 (0)1 48639380

FAX: +33 (0)1 48639388

Spanje/Portugal - Hoshizaki Iberia

TEL: +34 (0)93 4780952

FAX: +34 (0)93 4780900

Overige landen - Hoshizaki Europe

TEL: +31 (0)20 6918499 of +44 (0)845 456 0585

FAX: +31 (0)20 6918768 of +44 (0)1462 499080

IV. VERWIJDERING

Houd u aan de lokale voorschriften met betrekking tot de verwijdering van het apparaat wat betreft ontvlambaar koelmiddel. Verwijder voordat u het apparaat afvoert de klep, om te voorkomen dat kinderen beklemd kunnen raken.

Juiste verwijdering van dit product:

Deze markering geeft aan dat dit product binnen de EU niet samen met ander huishoudelijk afval mag worden afgevoerd. Teneinde mogelijke milieuschade of schade aan de menselijke gezondheid ten gevolge van ongecontroleerde afvoer van afvalstoffen te vermijden, dient u het apparaat op verantwoorde wijze te recyclen om het duurzame hergebruik van materialen mogelijk te maken. U kunt uw gebruikte apparaat terugsturen via de bestaande systemen voor retournering en inzameling, of u kunt contact opnemen met de detailhandelaar waar het product is aangeschaft. Zij kunnen dit product innemen voor milieuvriendelijke recycling.



Dit product bevat een hermetisch afgesloten koelsysteem dat gefluorineerde broeikasgasen bevatten waarop het Kyoto-protocol van toepassing is:

FM-1000AKE(-N)	R404A / GWP 3920 / 1.350kg
FM-750AKE(-N)	R404A / GWP 3920 / 1.200kg
FM-600AKE(-N)	R404A / GWP 3920 / 1.300kg
FM-480AKE(-N)	R404A / GWP 3920 / 0.600kg
FM-300AKE(-N)	R404A / GWP 3920 / 0.460kg
FM-170AKE(-N)	R134a / GWP 1430 / 0.390kg

Dit product is geïsoleerd met schuim dat is geblazen met behulp van gefluorineerde broeikasgasen.

CONFORMITEITSVERKLARING VOOR DE EU

Fabrikant: Hoshizaki Europe Ltd.
Telford 70, Stafford Park 7, Telford,
Shropshire TF3 3BQ Engeland

Hierbij verklaren wij dat de onderstaande, door ons gefabriceerde machine(s) voldoet of voldoen aan de essentiële vereisten op het gebied van de gezondheid en veiligheid die worden beschreven in de volgende EG-richtlijnen:

EG-richtlijnen: EMC-richtlijn (2004/108/EG)
Laagspanningsrichtlijn (2006/95/EG)

Toegepaste geharmoniseerde Europese normen: EN 55014-1 (EMC)
EN 55014-2 (EMC)
EN 61000-3-2 (EMC)
EN 61000-3-3 (EMC)
EN 61000-4-2 (EMC)
EN 61000-4-3 (EMC)
EN 61000-4-4 (EMC)
EN 61000-4-5 (EMC)
EN 61000-4-6 (EMC)
EN 61000-4-11 (EMC)
EN 60335-1 (LVD)
EN 60335-2-24 (LVD)
EN 62233 (EMF)

Eerste toekenning CE-markering: 2010

Productomschrijving: IJsmachine van Hoshizaki

Model(len): FM-1000AKE, FM-1000AKE-N
FM-750AKE, FM-750AKE-N
FM-600AKE, FM-600AKE-N
FM-480AKE, FM-480AKE-N
FM-300AKE, FM-300AKE-N
FM-170AKE, FM-170AKE-N

Naam: Akira Oi

Functie: Managing Director

Deze verklaring is niet langer geldig als er zonder onze goedkeuring wijzigingen worden aangebracht in of aan de machine(s).

IMPORTANTE

1. Este folleto es una parte integral y esencial del producto y el usuario debe guardarlo en buenas condiciones. Por favor, lea atentamente las indicaciones y observaciones de este folleto, que se proponen ofrecer al usuario toda la información esencial para el uso seguro y el mantenimiento del producto. Además, ofrece al usuario ÚNICAMENTE ASESORAMIENTO para realizar correctamente la instalación, el mantenimiento y las reparaciones de la máquina de hielo. Por favor, guarde este folleto para cualquier futura consulta que sea necesaria.
2. Esta máquina de hielo comercial sólo debe utilizarse para los fines para los que ha sido expresamente diseñada. Cualquier otra utilización deberá considerarse inadecuada y, por lo tanto, potencialmente peligrosa. El fabricante no será responsable de ningún daño causado por un uso incorrecto, inadecuado o irracional.

I. INSTRUCCIONES DE INSTALACIÓN

ADVERTENCIA

1. La instalación debe ser realizada únicamente por personal cualificado, de acuerdo con la normativa vigente y con las instrucciones del fabricante.
2. Mantenga los orificios de ventilación, de la carcasa de la máquina o de la estructura integrada, libres de cualquier obstrucción.

1. UBICACIÓN

IMPORTANTE

1. Esta máquina de hielo no está diseñada para uso en el exterior. La temperatura ambiente de trabajo normal debe situarse entre 5°C y 40°C. La temperatura de trabajo normal del agua debe situarse entre 5°C y 35°C. La utilización de la máquina de hielo fuera de estos márgenes de temperatura normal durante periodos prolongados puede afectar a su capacidad de producción.
2. La máquina de hielo no debe colocarse cerca de hornos, parrillas u otras fuentes de calor.
3. El equipo debe ubicarse sobre una base firme y nivelada.

4. Deje un espacio de 15 cm detrás y a los lados (FM-600AKE: 30 cm) para permitir la circulación de aire y facilitar las eventuales operaciones de reparación y/o mantenimiento. Deje un espacio de 60 cm por encima para poder desmontar la barrena.
5. Este equipo no debe instalarse en un lugar en el que pueda utilizarse un chorro de agua y donde no esté permitida la formación de gotas.
6. No coloque nada encima de la máquina de hielo ni delante de la rejilla.

2. CONEXIONES ELÉCTRICAS

ADVERTENCIA

ESTA MÁQUINA DEBE CONECTARSE A TIERRA

Esta máquina de hielo requiere una conexión a tierra conforme a la normativa eléctrica nacional y local. Para evitar la posibilidad de fuertes descargas eléctricas a personas o graves averías del equipo, conecte a la máquina un cable de puesta a tierra adecuado. Antes de realizar operaciones de mantenimiento, reparación o limpieza, desconecte la unidad de la red eléctrica.

- * Este equipo necesita una alimentación de 220 - 240VAC, 17A (FM-1000, 600) / 12A (FM-750, 480) / 8A (FM-300) / 7A (FM-170) aparte. El suministro eléctrico debe protegerse con un disyuntor apropiado.
- * Normalmente son necesarios un permiso para obras eléctricas y los servicios de un electricista acreditado.

[FM-1000, 600]

- * En caso de que sea necesario sustituir el cable de alimentación y el enchufe, dicha sustitución debe realizarla únicamente un técnico de mantenimiento cualificado.
- * El cableado fijado debe incorporar un medio para desconexión de la alimentación eléctrica que tenga una separación de contacto de al menos 3 mm en todos los polos.

[FM-750, 480, 300, 170]

- * Si el cable de alimentación está dañado, este se debe sustituir por un cable o montaje especial que debe suministrar el fabricante o el agente de reparaciones.

Únicamente en el Reino Unido y la República de Irlanda

* Los hilos del cable de red están coloreados de acuerdo con el código siguiente:

Verde y amarillo = Tierra
Azul = Neutro
Marrón = Activo

Es posible que los colores de los hilos del cable de red de este equipo no se correspondan con las marcas de color que identifican los terminales del enchufe que se utilice. En ese caso, proceda del modo siguiente:

El hilo verde y amarillo se debe conectar al terminal del enchufe marcado con la letra E o con el símbolo $\frac{\perp}{\perp}$, o de color verde o de color verde-amarillo. El hilo azul debe conectarse al terminal marcado con la letra N o de color negro. El hilo marrón debe conectarse al terminal marcado con la letra L o de color rojo.

* En caso de que las tomas de corriente del lugar donde se va a instalar no sean adecuadas para el enchufe que se suministra con el producto, debe sustituirse el enchufe (cortándolo si está moldeado) por uno adecuado.

Si la clavija no reutilizable se ha cortado del cable de alimentación, dicha clavija debe desecharse. No trate de reutilizarla. La introducción de esta clavija en cualquier toma de corriente representa un grave riesgo de descarga eléctrica.

* La clavija no reutilizable no debe utilizarse nunca sin una tapa de fusibles montada.

El recambio correcto de la tapa de fusibles desmontable se identifica por el número de referencia del fabricante grabado en la propia clavija.

Puede obtener tapas de fusibles de repuesto en los centros de repuestos/servicio de Hoshizaki.

Los fusibles deben ser de 12 A y estar homologados según BS 1362.

3. SUMINISTRO DE AGUA Y CONEXIONES DE DRENAJE

ADVERTENCIA

Conecte la máquina únicamente a un suministro de agua potable.

Nota: En algunas localidades pueden ser necesarios un permiso para obras de fontanería y los servicios de un fontanero acreditado.

* La conexión a la red de suministro general de agua debe hacerse según la regulación vigente de cada país en materia de suministro de agua o racores.

* La presión del suministro de agua debe ser de 0,05 MPa (0,5 bar) como mínimo y 0,8 MPa (8 bar) como máximo. Si la presión es superior a 0,8 MPa (8 bar), utilice una válvula reductora adecuada. **NO** intente reducir la presión actuando sobre la llave de paso.

* El drenaje de la máquina de hielo se realiza por gravedad, de modo que el conducto de drenaje debe disponer de la pendiente y altura adecuadas.

* El agua debe drenar en un colector abierto.

* Las tuberías no deberían dirigirse directamente al drenaje. Debe quedar un hueco de aire vertical de al menos 5 cm entre el extremo de las tuberías de la máquina de hielo y la cuba de almacenamiento y el drenaje del suelo.

* La conexión al suministro de agua se debe realizar con un tubo, no con un conjunto de mangueras.

II. INSTRUCCIONES DE UTILIZACIÓN

ADVERTENCIA

1. Esta máquina de hielo ha sido diseñada para producir y almacenar hielo comestible. Para mantener la higiene de la máquina:
 - * Lávese las manos antes de extraer hielo. Utilice la pala de plástico que se suministra (accesorio).
 - * La cuba de almacenamiento sólo puede utilizarse para el hielo. No guarde en ella nada que no sea hielo.
 - * Limpie la cuba de almacenamiento antes de utilizarla (véase "III. 1. LIMPIEZA").
 - * Mantenga la pala limpia. Límpiela con un detergente neutro y aclárela bien.
 - * Cierre la puerta después de extraer hielo para evitar que entren suciedad, polvo o insectos en la cuba de almacenamiento.
2. El uso de cualquier aparato eléctrico requiere observar algunas normas fundamentales. En particular:
 - * Un alto grado de humedad incrementa el riesgo potencial de cortocircuitos y de descargas eléctricas. En caso de duda, desconecte la máquina de hielo.

- * No dañe el cable de alimentación eléctrica ni tire del mismo para desconectar la máquina de la red.
- * No toque las partes eléctricas ni manipule el interruptor de funcionamiento con las manos húmedas.
- * Este equipo no está diseñado para uso por personas (incluidos los niños) con capacidades físicas, sensoriales o mentales reducidas, o bien, que carecen de experiencia o conocimientos adecuados, a menos que la persona responsable de su seguridad les supervise o proporcione instrucciones acerca del uso del equipo.
- * Es necesario vigilar a los niños para que no jueguen con el equipo.
- * No trate de modificar la máquina de hielo. El desmontaje o la reparación de la máquina sólo debe ser realizado por personal cualificado.

3. Todos los componentes están ajustados de fábrica. Un ajuste incorrecto puede provocar averías.
4. Si desconecta la unidad, espere al menos 3 minutos antes de ponerla de nuevo en marcha para evitar que el compresor se averíe.

1. PUESTA EN MARCHA

El instalador normalmente prepara la máquina de hielo para que arranque con el proceso automático de producción. Para garantizar el funcionamiento en régimen continuo, asegúrese de que:

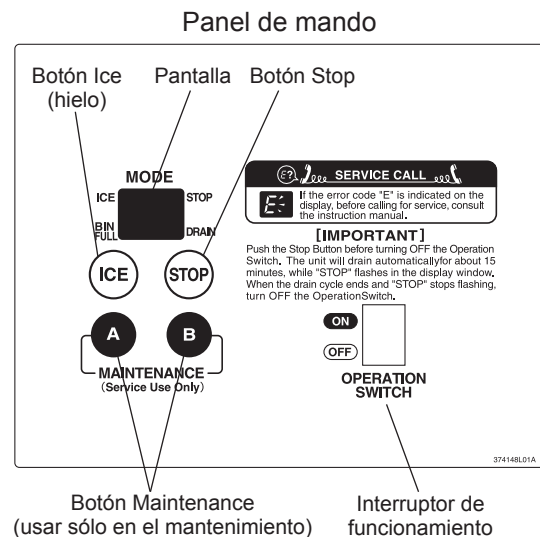
- * La llave de paso de agua está abierta y que
- * La máquina de hielo está enchufada en la red de alimentación eléctrica.

Para iniciar el proceso de producción de hielo, compruebe la posición del interruptor de funcionamiento del Panel mando:

Posición "OFF" (desactivado) - Sitúelo en la posición "ON" (activado).
 posición "ON" (activado) - Pulse el botón de ice.

2. DESCONEXIÓN

Pulse el botón de stop del panel de mando. Durante la operación de control de desagüe la pantalla parpadeará en el modo "STOP" durante 15 minutos y no dejará de hacerlo hasta el final de dicha operación.



Ilust. 1

3. PREPARACIÓN DE LA MÁQUINA DE HIELO PARA UN ALMACENAMIENTO PROLONGADO

- 1) Siga las instrucciones del paso "2. DESCONEXIÓN".
- 2) Cierre la válvula de cierre de la tubería de alimentación de agua.
- 3) Abra la válvula de drenaje.
- 4) Pulse el botón Ice del panel de mando para drenar el circuito del agua.
- 5) Si no sale más agua de la válvula de drenaje, pulse el botón Stop.
- 6) Lleve el interruptor de funcionamiento a la posición "OFF" y desconecte de la red eléctrica.
- 7) Cierre la válvula de drenaje.
- 8) Extraiga todo el hielo de la cuba de almacenamiento y límpiela.

III. MANTENIMIENTO

1. LIMPIEZA

ADVERTENCIA

1. Antes de realizar cualquier operación de limpieza o mantenimiento, desenchufe la máquina de hielo de la red eléctrica.

2. Solicite a personal capacitado de mantenimiento la revisión y limpieza del condensador al menos una vez al año.
3. Esta máquina no debe limpiarse con un chorro de agua.
4. Para evitar cualquier daño posible, no limpie las piezas de plástico con agua a más de 40°C ni en un lavavajillas.

[1] Exterior de la máquina y de la cuba

Limpie el exterior al menos una vez por semana con un trapo limpio y suave. Utilice un trapo humedecido con un detergente neutro para eliminar la grasa o la suciedad.

[2] Limpieza/esterilización de la pala (diario)

- 1) Mezcle 1 litro de agua con 4 mL de una solución de hipoclorito sódico al 5,25% en un recipiente adecuado, o bien utilice el esterilizador de agua recomendado por Hoshizaki siguiendo las instrucciones.
- 2) Sumerja la pala en la solución durante más de 3 minutos. Aclárela con abundante agua y sacúdala para eliminar el exceso de líquido.

Nota: El uso de un trapo para secarla podría contaminarla.

[3] Limpieza/esterilización del interior de la cuba de almacenamiento (semanal)

- 1) Abra la puerta de la cuba de almacenamiento y extraiga todo el hielo.
- 2) Quite los tornillos de palometa que fijan la compuerta.
- 3) Quite la compuerta de la cuba de almacenamiento.
- 4) Lave el revestimiento de la cuba y la compuerta con un detergente neutro no abrasivo. Aclárela con abundante agua.
- 5) Mezcle 5 litros de agua con 18 mL de una solución de hipoclorito sódico al 5,25% en un recipiente adecuado, o bien utilice el esterilizador de agua recomendado por Hoshizaki siguiendo las instrucciones.

- 6) Empape una esponja o un trapo limpio con la solución y páselo por el revestimiento y la puerta de la cuba de almacenamiento.
- 7) Vuelva a montar la compuerta y los tornillos de palometa. Limpie la superficie de la puerta de la cuba de almacenamiento y los tornillos de palometa con la solución. Cierre la puerta de la cuba.
- 8) La solución restante puede utilizarse para esterilizar los utensilios.

Nota: No seque con un trapo ni aclare con agua después de la esterilización; deje que se seque al aire.

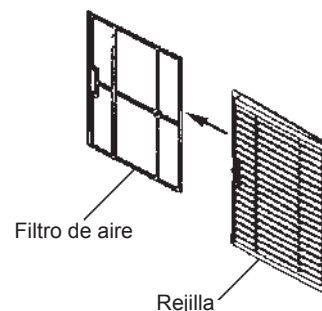
[4] Puerta de la cuba de almacenamiento

Limpie la puerta de la cuba de almacenamiento con un limpiador neutro no abrasivo al menos una vez por semana. Después de limpiarla, aclárela cuidadosamente y esterilícela si es necesario.

[5] Filtro de aire

Los filtros de aire con malla de plástico eliminan la suciedad o el polvo del aire y evitan que el condensador se obstruya. Si el filtro se obstruye, el rendimiento de la máquina de hielo se reduce. Desmonte y limpie los filtros de aire al menos dos veces al mes:

- 1) Deslice el filtro de aire para desmontarlo de la rejilla.
- 2) Limpie el filtro de aire con un aspirador. Cuando esté muy obstruido, utilice agua tibia y un detergente neutro para lavarlo.
- 3) Aclare y seque completamente el filtro de aire y luego vuelva a montarlo en su posición correcta.



Ilust. 2

2. REVISIÓN Y MANTENIMIENTO

IMPORTANTE

Para conseguir un funcionamiento óptimo de la máquina de hielo, es necesario revisar y llevar a cabo labores de mantenimiento de forma periódica en las siguientes partes:

Cabezal de extrusión (cojinete superior)

Carcasa (cojinete inferior)

Junta mecánica

Estas partes deben revisarse o bien dos años después de su instalación o tras 10 000 horas de funcionamiento, dependiendo de la situación que se dé primero. Después, deberá revisarse una vez al año. Es necesario cambiar estas partes si el desgaste es mayor al recomendado de fábrica.

Sin embargo, la vida útil de la unidad dependerá de la calidad del agua y del entorno. Cuando las propiedades del agua sean malas o extremas, será recomendable revisar y llevar a cabo labores de mantenimiento con más frecuencia.

Consulte con el encargado de reparaciones local de Hoshizaki todo lo relacionado con los servicios de revisión y mantenimiento.

3. ASISTENCIA TÉCNICA

ADVERTENCIA

No dañe el circuito del refrigerante.

[1] Indicación del código de error

Si en la pantalla se visualiza el código de error “E”, antes de llamar al servicio técnico compruebe lo siguiente.

Código	Solución
E0	Posibilidad de fugas de agua. Lleve el interruptor de funcionamiento a la posición OFF (desactivado) y luego a ON (activado). Si vuelve a aparecer el código de error, llame al servicio de reparaciones.
E1	Baja producción de hielo. Lleve el interruptor de funcionamiento a la posición OFF (desactivado) y luego a ON (activado). Si vuelve a aparecer el código de error, llame al servicio de reparaciones.
E2	Fallo del circuito de suministro de agua. Lleve el interruptor de funcionamiento a la posición OFF (desactivado) y luego a ON (activado). Si vuelve a aparecer el código de error, llame al servicio de reparaciones.
E3	Fallo del motor de engranajes. Lleve el interruptor de funcionamiento a la posición OFF (desactivado) y luego a ON (activado) al cabo de 10 minutos. Si vuelve a aparecer el código de error, llame al servicio de reparaciones.

E4	Presión secundaria anormalmente alta. Limpie el filtro de aire. Compruebe que la máquina de hielo esté correctamente instalada de acuerdo con las indicaciones del Manual de instalación. Lleve el interruptor de funcionamiento a la posición OFF (desactivado) y luego a ON (activado). Si vuelve a aparecer el código de error, llame al servicio de reparaciones.
E5	Fallo en el circuito eléctrico. Lleve el interruptor de funcionamiento a la posición OFF (desactivado) y luego a ON (activado). Si vuelve a aparecer el código de error, llame al servicio de reparaciones.
E8	El compresor podría estar recalentado. Compruebe que la máquina de hielo esté correctamente instalada de acuerdo con las indicaciones del Manual de instalación. Lleve el interruptor de funcionamiento a la posición OFF (desactivado) y luego a ON (activado) al cabo de 10 minutos. Si vuelve a aparecer el código de error, llame al servicio de reparaciones.
EA	Fallo en el circuito eléctrico. Lleve el interruptor de funcionamiento a la posición OFF (desactivado) y luego a ON (activado). Si vuelve a aparecer el código de error, llame al servicio de reparaciones.
Eb	Fallo en el circuito eléctrico. Lleve el interruptor de funcionamiento a la posición OFF (desactivado) y luego a ON (activado). Si vuelve a aparecer el código de error, llame al servicio de reparaciones.
EC	Fallo en el circuito eléctrico. Lleve el interruptor de funcionamiento a la posición OFF (desactivado) y luego a ON (activado). Si vuelve a aparecer el código de error, llame al servicio de reparaciones.
EE	Fallo del motor de engranajes. Lleve el interruptor de funcionamiento a la posición OFF (desactivado) y luego a ON (activado). Si vuelve a aparecer el código de error, llame al servicio de reparaciones.
EF	La tensión de alimentación es demasiado baja. Compruebe que el voltaje se encuentra en el intervalo requerido y que la máquina de hielo no comparte el enchufe con otros aparatos. Lleve el interruptor de funcionamiento a la posición OFF (desactivado) y luego a ON (activado). Si vuelve a aparecer el código de error, llame al servicio de reparaciones.
EH	Fallo en el circuito eléctrico. Lleve el interruptor de funcionamiento a la posición OFF (desactivado) y luego a ON (activado). Si vuelve a aparecer el código de error, llame al servicio de reparaciones.
EL	Fallo en el interruptor de control de la cuba. Lleve el interruptor de funcionamiento a la posición OFF (desactivado) y luego a ON (activado). Si vuelve a aparecer el código de error, llame al servicio de reparaciones.
En	Fallo en el circuito eléctrico. Lleve el interruptor de funcionamiento a la posición OFF (desactivado) y luego a ON (activado). Si vuelve a aparecer el código de error, llame al servicio de reparaciones.
EU	Fallo de la placa controladora. Lleve el interruptor de funcionamiento a la posición OFF (desactivado) y luego a ON (activado). Si vuelve a aparecer el código de error, llame al servicio de reparaciones.

[2] Ausencia de indicación del código de error

Si la máquina de hielo no funciona correctamente o no funciona en absoluto y en la pantalla no aparece el código de error, antes de llamar al servicio de reparaciones compruebe que:

- * La unidad está conectada a la red eléctrica.
- * El agua está conectada.
- * El filtro de aire está limpio.

Para asistencia o asesoramiento adicionales, póngase en contacto con el agente de reparaciones local de Hoshizaki.

4. GARANTÍA

Hoshizaki garantiza al usuario/propietario que ninguno de los productos de su marca presentarán defectos de material o mano de obra durante la duración del "periodo de garantía". La garantía será efectiva durante dos años a partir de la fecha de instalación.

La responsabilidad de Hoshizaki según los términos de esta garantía es limitada y excluirá el servicio de rutina, la limpieza, el mantenimiento esencial y/o las reparaciones ocasionadas por uso incorrecto y por instalaciones que no se ajusten a las instrucciones de Hoshizaki.

Las reparaciones cubiertas por la garantía deberán ser realizadas por un distribuidor o centro de servicio homologado de Hoshizaki empleando componentes originales de Hoshizaki.

Para más detalles sobre la garantía y los centros de servicio técnico homologados, póngase en contacto con su distribuidor/proveedor, o con la oficina de Servicio Técnico de Hoshizaki en Europa más próxima:

R.U./Irlanda - Hoshizaki UK
TEL: +44 (0)845 456 0585
FAX: +44 (0)1462 499080

Holanda - Hoshizaki Europe
TEL: +31 (0)20 6918499
FAX: +31 (0)20 6918768

Bélgica/Luxemburgo - Hoshizaki Belgium
TEL: +32 (0)2 7123030
FAX: +32 (0)2 7123031

Alemania/Suiza/Austria - Hoshizaki Deutschland
TEL: +49 (0)2154 92810
FAX: +49 (0)2154 928128

Francia - Hoshizaki France
TEL: +33 (0)1 48639380
FAX: +33 (0)1 48639388

España/Portugal - Hoshizaki Iberia
TEL: +34 (0)93 4780952
FAX: +34 (0)93 4780900

Otros países - Hoshizaki Europe
TEL: +31 (0)20 6918499 o +44 (0)845 456 0585
FAX: +31 (0)20 6918768 o +44 (0)1462 499080

IV. ELIMINACIÓN

Siga las normativas locales relativas a la eliminación del refrigerante inflamable del equipo. Antes de desechar el equipo, quite la puerta para evitar que niños queden atrapados dentro jugando.

Eliminación correcta de este producto:

Estas marcas indican que está prohibido eliminar este producto junto con otros desechos de uso doméstico en todo el territorio de la UE. Para evitar el posible daño al medioambiente o a la salud pública, provocado por la eliminación no controlada de desechos, recíclelos de forma responsable para fomentar la reutilización sostenible de los recursos materiales. Para devolver el dispositivo usado, utilice los sistemas de devolución y recogida o póngase en contacto con el punto de venta en el que adquirió el producto. El personal se encargará de que el producto se recicle respetando el medioambiente.



Este producto incluye un sistema de refrigeración sellado herméticamente que contiene gases fluorados de efecto invernadero que cumplen con el Protocolo de Kyoto:

FM-1000AKE(-N)	R404A / GWP 3920 / 1.350kg
FM-750AKE(-N)	R404A / GWP 3920 / 1.200kg
FM-600AKE(-N)	R404A / GWP 3920 / 1.300kg
FM-480AKE(-N)	R404A / GWP 3920 / 0.600kg
FM-300AKE(-N)	R404A / GWP 3920 / 0.460kg
FM-170AKE(-N)	R134a / GWP 1430 / 0.390kg

Este producto se ha aislado con espuma soplada con gases fluorados de efecto invernadero.

DECLARACIÓN DE CONFORMIDAD CE

Fabricante: Hoshizaki Europe Ltd.
Telford 70 Stafford Park 7, Telford,
Shropshire TF3 3BQ Inglaterra

Por la presente declaramos que la(s) máquina(s) fabricada(s) por nosotros que se describe(n) a continuación cumple(n) los requisitos esenciales de salud y seguridad exigidos por las siguientes normativas de la CE:

Normativas CE: Directiva EMC (2004/108/CE)
Directiva sobre bajo voltaje (2006/95/EC)

Normas armonizadas europeas aplicadas: EN 55014-1 (EMC)
EN 55014-2 (EMC)
EN 61000-3-2 (EMC)
EN 61000-3-3 (EMC)
EN 61000-4-2 (EMC)
EN 61000-4-3 (EMC)
EN 61000-4-4 (EMC)
EN 61000-4-5 (EMC)
EN 61000-4-6 (EMC)
EN 61000-4-11 (EMC)
EN 60335-1 (LVD)
EN 60335-2-24 (LVD)
EN 62233 (EMF)

Marcado CE fijado: 2010

Descripción del producto: Máquina de hielo de Hoshizaki

Modelo(s): FM-1000AKE, FM-1000AKE-N
FM-750AKE, FM-750AKE-N
FM-600AKE, FM-600AKE-N
FM-480AKE, FM-480AKE-N
FM-300AKE, FM-300AKE-N
FM-170AKE, FM-170AKE-N

Nombre: Akira Oi

Cargo: Director

Esta declaración pierde su validez si se realiza a la(s) máquina(s) alguna modificación no autorizada.

IMPORTANTE

1. Il presente manuale è parte integrante e fondamentale del prodotto e deve essere conservato con cura dall'utente. Si raccomanda di leggere con attenzione le indicazioni e le avvertenze ivi contenute, volte a fornire all'utente le informazioni fondamentali per l'utilizzo prolungato e la manutenzione del prodotto in condizioni di sicurezza. Inoltre fornisce all'utente SOLO INDICAZIONI sui corretti interventi e l'ubicazione della macchina. Si raccomanda di conservare il presente manuale per eventuali necessità di consultazione future.
2. Questa è una macchina industriale e deve essere utilizzata esclusivamente per gli impieghi per la quale è stata espressamente progettata. Qualunque altro impiego è da considerarsi improprio e pertanto pericoloso. La casa costruttrice declina ogni responsabilità per eventuali danni provocati da uso improprio, non corretto o sconsigliato.

I. ISTRUZIONI PER L'INSTALLAZIONE

AVVERTENZA

1. **L'installazione deve essere eseguita da personale specializzato**, in conformità alle norme vigenti e alle istruzioni della casa costruttrice.
2. Mantenere prive di ostruzioni le aperture di ventilazione della custodia della macchina o della struttura incorporata.

1. UBICAZIONE

IMPORTANTE

1. La macchina non è adatta per essere utilizzata all'aria aperta. La normale temperatura ambiente d'esercizio deve essere compresa fra 5 e 40 °C; la normale temperatura d'esercizio dell'acqua, invece, fra 5 a 35 °C. Il prolungato funzionamento della macchina con valori al di fuori delle gamme previste, può condizionarne la capacità di produzione.
2. La macchina non deve essere ubicata in prossimità di forni, grill o altri apparecchi che producono calore.
3. Il pavimento su cui poggia deve garantire alla macchina una base solida e piana.

4. Lasciare uno spazio libero di 15 cm sul retro e ai lati (FM-600AKE: 30 cm) della macchina, in modo da favorire la circolazione dell'aria e le eventuali operazioni di manutenzione o servizio. Lasciare uno spazio libero di 60 cm sulla sommità della macchina, per facilitare lo smontaggio della coclea.
5. La macchina non è adatta per essere installata dove si fa uso di getti d'acqua o non si può drenare.
6. Non posizionare alcun oggetto sulla sommità della macchina e davanti alla sfinestratura.

2. COLLEGAMENTI ELETTRICI

AVVERTENZA

LA MACCHINA DEVE ESSERE COLLEGATA A MASSA

La macchina deve essere collegata a massa in modo da soddisfare le norme elettriche a livello locale e nazionale. Per prevenire gravi lesioni da scosse elettriche alle persone e seri danni alla macchina, collegare alla medesima un idoneo cavo di massa. Scollegare l'alimentazione principale prima di eseguire qualsiasi intervento di manutenzione, riparazione o pulizia.

* Questa macchina richiede un'alimentazione separata a 220 - 240VAC, 17A (FM-1000, 600) / 12A (FM-750, 480) / 8A (FM-300) / 7A (FM-170). L'alimentazione elettrica deve essere protetta da un interruttore automatico adeguato.

* Per eseguire interventi elettrici sono solitamente necessari un permesso specifico nonché l'assistenza di un elettricista qualificato.

[FM-1000, 600]

* All'occorrenza, il cavo di alimentazione elettrica e la spina devono essere sostituiti solo da personale di servizio qualificato.

* Il cablaggio fisso deve comprendere un dispositivo di scollegamento dall'alimentazione, con una separazione di almeno 3 mm fra i contatti di tutti i poli.

[FM-750, 480, 300, 170]


* Se il cavo in dotazione è danneggiato, sostituirlo con un cavo o con un gruppo specifico fornito dal produttore o dal centro di assistenza.

Solo per il Regno Unito e la Repubblica d'Irlanda

* I fili del cavo di alimentazione sono colorati in base al seguente codice:

verde e giallo = massa
 blu = neutro
 marrone = sotto tensione

Dato che i colori dei fili del cavo di alimentazione della macchina possono non corrispondere ai contrassegni colorati che identificano i terminali della spina dell'utente, procedere come segue.

Il filo verde e giallo deve essere collegato al terminale della spina contrassegnato dalla lettera E o dal simbolo  o di colore verde o verde e giallo. Il filo blu deve essere collegato al terminale della spina contrassegnato dalla lettera N o di colore nero. Il filo marrone deve essere collegato al terminale contrassegnato dalla lettera L o di colore rosso.

* Se le prese a muro, nel luogo dell'installazione, non sono adatte alla spina appartenente alla dotazione del prodotto, togliere la spina (tagliandola se è del tipo pressofuso) e sostituirla con una spina adatta.

Se dal cavo di alimentazione elettrica è stata tagliata una spina di tipo non riciclabile, smaltirla. Non cercare di riutilizzarla. Inserire una spina del genere in una qualsiasi altra presa comporta un forte rischio di scosse elettriche.

* La spina non riciclabile non va mai utilizzata senza aver montato un coprifusibile.

Per individuare il corretto ricambio del coprifusibile smontabile, leggere il numero di riferimento della casa costruttrice impresso sulla spina.

I coprifusibili possono essere reperiti presso il centro assistenza/ricambi Hoshizaki.

I fusibili devono essere di 12 A e con approvazione BS 1362.

3. COLLEGAMENTO DI ALIMENTAZIONE DELL'ACQUA E COLLEGAMENTO DI SCARICO

AVVERTENZA

Collegare solo all'approvvigionamento dell'acqua potabile.

Nota: in alcune località, per eseguire lavori idraulici sono necessari un permesso specifico nonché l'assistenza di un idraulico qualificato.

* I collegamenti all'approvvigionamento idrico di rete devono essere eseguiti in conformità ai requisiti vigenti delle norme relative all'approvvigionamento dell'acqua e ai raccordi dell'acqua.

* La pressione dell'approvvigionamento dell'acqua deve essere di minimo 0,05 MPa (0,5 bar) e massimo 0,8 MPa (8 bar). Se la pressione è superiore a 0,8 MPa (8 bar), utilizzare una valvola limitatrice di pressione appropriata. NON strozzare il rubinetto dell'acqua.

* La macchina è caratterizzata da un flusso di drenaggio a gravità: assicurarsi che il condotto di scarico abbia una pendenza adatta.

* L'acqua deve essere scaricata in uno scarico aperto.

* I circuiti di scarico non devono essere collegati direttamente alla rete fognaria. È necessario lasciare un traferro verticale di circa 5 cm tra l'estremità dei condotti di scarico dalla macchina e il deposito di raccolta cubetti e lo scarico a pavimento.

* Il collegamento di alimentazione dell'acqua deve essere effettuato utilizzando un tubo e non un set di tubi flessibili.

II. ISTRUZIONI DI FUNZIONAMENTO

AVVERTENZA

1. La macchina serve a produrre cubetti di ghiaccio commestibili e a conservarli. Per mantenere la macchina in buone condizioni igieniche, osservare le regole che seguono:
 - * Lavarsi le mani prima di prelevare i cubetti. Utilizzare il cucchiaino di presa in materiale plastico (in dotazione).
 - * Il deposito di raccolta cubetti è solo per i cubetti. Non depositarvi altre cose.
 - * Pulire il deposito di raccolta cubetti prima dell'uso (vedi "III. 11. PULIZIA").
 - * Mantenere pulito il cucchiaino di presa. A tal fine, utilizzare un detergente neutro e sciacquare abbondantemente.
 - * Chiudere il portello dopo aver prelevato i cubetti, per evitare che nel deposito di raccolta cubetti entrino impurità, polvere o insetti.

2. L'utilizzo di qualsiasi apparecchio elettrico implica l'osservanza di alcune norme fondamentali. In particolare:

- * Ubicando la macchina in ambienti ad alta umidità, si aumenta il rischio di cortocircuiti e di scosse elettriche. In caso di dubbi, disinserire la macchina.
- * Non danneggiare il cavo dell'alimentazione elettrica né tirarlo per scollegare la spina della macchina dalla rete di alimentazione.
- * Non toccare parti elettriche né l'interruttore di comando con le mani bagnate.
- * La macchina non deve essere utilizzata da persone (inclusi i bambini) con capacità fisiche, sensoriali e mentali ridotte o prive dell'esperienza e della conoscenza necessarie, tranne nei casi in cui siano fornite la supervisione o le istruzioni relative all'utilizzo della macchina da una persona responsabile della sicurezza.
- * È necessaria la supervisione di un adulto per assicurare che i bambini non giochino con la macchina.
- * Non apportare modifiche alla macchina. Il disassemblaggio e la riparazione della macchina devono essere effettuati esclusivamente da personale qualificato.

3. Tutti i componenti sono preimpostati dalla casa costruttrice. Regolazioni non corrette possono provocare guasti.

4. Se la macchina viene spenta, per non danneggiare il compressore, attendere almeno 3 minuti per avviarla di nuovo.

1. AVVIO

L'installatore di regola imposta la macchina in modo da avviare il processo di produzione automatica di cubetti. Per garantire il funzionamento continuo, accertare che:

- * Il rubinetto di alimentazione acqua sia aperto e
- * la macchina sia collegata all'alimentazione.

Per avviare la produzione di cubetti, controllare la posizione dell'interruttore di comando sul pannello di comando:

posizione "OFF" - spostarlo in posizione "ON";
posizione "ON" - premere il pulsante "ICE".

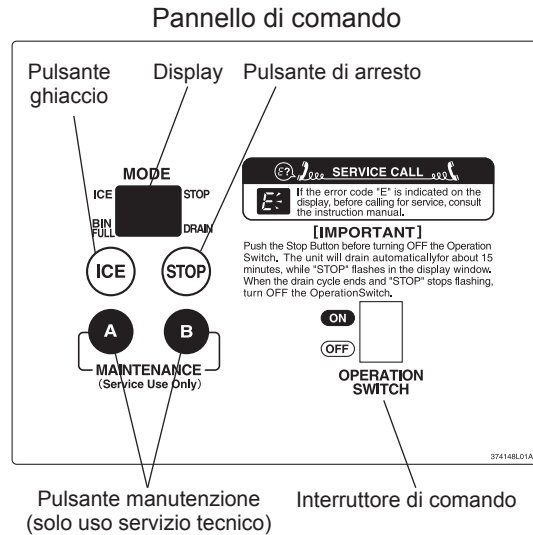


Fig. 1

2. ARRESTO

Premere il pulsante "STOP" sul pannello di comando. Il display lampeggia in modalità "STOP" per 15 minuti durante il controllo scarico, quindi si illumina rimanendo acceso al termine dell'operazione.

3. PREPARATIVI PER IL LUNGO IMMAGAZZINAGGIO DELLA MACCHINA

- 1) Seguire le istruzioni al punto "2. ARRESTO".
- 2) Chiudere la valvola di arresto del circuito di alimentazione dell'acqua.
- 3) Aprire la valvola di scarico.
- 4) Premere il pulsante ghiaccio sul pannello di comando per scaricare il circuito dell'acqua.
- 5) Quando non fuoriesce più acqua dalla valvola di scarico, premere il pulsante Stop.
- 6) Spostare l'interruttore di comando in posizione "OFF" e scollegare l'alimentazione.
- 7) Chiudere la valvola di scarico.
- 8) Togliere tutti i cubetti dal relativo deposito di raccolta cubetti, quindi pulirlo.

III. MANUTENZIONE

1. PULIZIA

AVVERTENZA

1. Prima di eseguire qualsiasi operazione di pulizia o di manutenzione, scollegare la macchina dall'alimentazione elettrica.
2. Richiedere almeno una volta all'anno l'intervento di personale tecnico qualificato, perché effettui la verifica ed esegua la pulizia del condensatore.
3. La macchina non deve essere pulita mediante getto d'acqua.
4. Per evitare possibili danni, non pulire le parti in plastica con acqua a una temperatura superiore a 40 °C o in una lavastoviglie.

[1] Macchina e esterno del deposito di raccolta cubetti

Per mezzo di un panno morbido e pulito, pulire la parte esterna della macchina almeno una volta alla settimana. Per eliminare grasso o impurità, utilizzare un panno inumidito con un detergente neutro.

[2] Pulizia e disinfezione del cucchiaino di presa (quotidiana)

- 1) Mescolare 1 litro d'acqua con 4 ml di soluzione di ipoclorito di sodio al 5,25% in un contenitore idoneo, oppure la soluzione disinfettante Hoshizaki consigliata, come da istruzioni.
- 2) Immergere il cucchiaino di presa nella soluzione per più di 3 minuti. Risciacquare abbondantemente e agitare per rimuovere il liquido in eccesso.

Nota: se si utilizza un panno per asciugare, si rischia una nuova contaminazione.

[3] Pulizia e disinfezione dell'interno del deposito di raccolta cubetti (settimanale)

- 1) Aprire il portello del deposito di raccolta cubetti e togliere tutti i cubetti di ghiaccio.
- 2) Rimuovere le viti ad alette che fissano il deflettore.
- 3) Rimuovere il deflettore dal deposito.
- 4) Lavare la camera del deposito e il deflettore mediante una soluzione detergente neutra non abrasiva. Sciacquare abbondantemente.

5) Mescolare 5 litri d'acqua con 18 ml di soluzione di ipoclorito di sodio al 5,25% in un contenitore idoneo, oppure la soluzione disinfettante Hoshizaki consigliata, come da istruzioni.

6) Inumidire una spugna pulita o un panno pulito con la soluzione e pulire le superfici della camera e il deflettore.

7) Rimontare il deflettore e le viti ad alette. Pulire con la soluzione la superficie del portello del deposito di raccolta cubetti e le viti. Chiudere il portello del deposito.

8) La soluzione rimanente può essere utilizzata per disinfettare gli utensili.

Nota: dopo la disinfezione non strofinare né risciacquare, ma lasciare asciugare all'aria.

[4] Portello del deposito di raccolta cubetti

Pulire il portello del deposito di raccolta cubetti almeno una volta alla settimana, utilizzando un detergente neutro non abrasivo. Risciacquare abbondantemente dopo la pulizia e disinfettare secondo necessità.

[5] Filtro aria

I filtri dell'aria a maglia di plastica servono a filtrare l'aria dalla sporcizia e dalla polvere, proteggendo così il condensatore da eventuali intasamenti. Con l'intasarsi dei filtri, le prestazioni della macchina si riducono via via. Smontare i filtri dell'aria e pulirli almeno due volte al mese:

- 1) Sfilare il filtro dell'aria dalla sfinestratura.
- 2) Pulire il filtro dell'aria per mezzo di un aspirapolvere. In caso di filtro particolarmente intasato, per lavarlo, utilizzare acqua calda assieme ad una soluzione detergente neutra.
- 3) Sciacquare e asciugare con cura il filtro dell'aria, quindi montarlo in modo corretto.

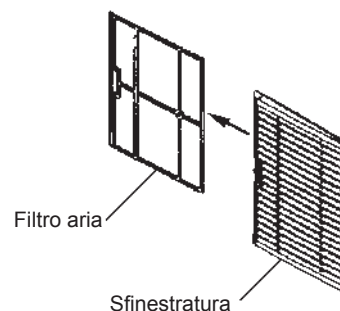


Fig. 2

2. CONTROLLO E MANUTENZIONE

— IMPORTANTE —

Per ottenere prestazioni ottimali della macchina, i componenti elencati di seguito necessitano di controllo e manutenzione periodici:

- testa di estrusione (cuscinetto superiore)
- sede (cuscinetto inferiore)
- tenuta meccanica

Tali componenti devono essere controllati dopo due anni dall'installazione o dopo 10.000 ore di funzionamento, in funzione dell'intervallo che si verifica per primo, e successivamente, una volta l'anno. Se usurati oltre le raccomandazioni della casa produttrice, sarà necessario sostituire tali componenti.

Tuttavia, la durata operativa dei componenti dipende dall'ambiente e dalla qualità dell'acqua. In condizioni di scarsa qualità dell'acqua, si consigliano interventi di manutenzione e controllo più frequenti.

Rivolgersi al proprio centro di assistenza Hoshizaki in merito ai servizi di controllo e manutenzione.

3. ASSISTENZA

— AVVERTENZA —

Non danneggiare il circuito di refrigerazione.

[1] Indicazione codice guasto

Se sul display viene indicato il codice errore "E", prima di rivolgersi all'assistenza, controllare quanto segue.

Codice	Rimedio
E0	Possibili perdite d'acqua. Ruotare su OFF l'interruttore di comando, quindi riportarlo su ON nuovamente. Se compare nuovamente il codice guasto, rivolgersi all'assistenza.
E1	Scarsa produzione di cubetti. Ruotare su OFF l'interruttore di comando, quindi riportarlo su ON nuovamente. Se compare nuovamente il codice guasto, rivolgersi all'assistenza.
E2	Guasto all'impianto di alimentazione dell'acqua. Ruotare su OFF l'interruttore di comando, quindi riportarlo su ON nuovamente. Se compare nuovamente il codice guasto, rivolgersi all'assistenza.
E3	Guasto al motorino con riduttore ad ingranaggi. Ruotare su OFF l'interruttore di comando, quindi riportarlo su ON dopo 10 minuti. Se compare nuovamente il codice guasto, rivolgersi all'assistenza.
E4	Pressione laterale eccessivamente alta. Pulire il filtro dell'aria. Verificare la corretta installazione della macchina secondo il Manuale d'installazione. Ruotare su OFF l'interruttore di comando, quindi riportarlo su ON nuovamente. Se compare nuovamente il codice guasto, rivolgersi all'assistenza.

E5	Guasto al circuito elettrico. Ruotare su OFF l'interruttore di comando, quindi riportarlo su ON nuovamente. Se compare nuovamente il codice guasto, rivolgersi all'assistenza.
E8	Il compressore potrebbe essersi surriscaldato. Verificare la corretta installazione della macchina secondo il Manuale d'installazione. Ruotare su OFF l'interruttore di comando, quindi riportarlo su ON dopo 10 minuti. Se compare nuovamente il codice guasto, rivolgersi all'assistenza.
EA	Guasto al circuito elettrico. Ruotare su OFF l'interruttore di comando, quindi riportarlo su ON nuovamente. Se compare nuovamente il codice guasto, rivolgersi all'assistenza.
Eb	Guasto al circuito elettrico. Ruotare su OFF l'interruttore di comando, quindi riportarlo su ON nuovamente. Se compare nuovamente il codice guasto, rivolgersi all'assistenza.
EC	Guasto al circuito elettrico. Ruotare su OFF l'interruttore di comando, quindi riportarlo su ON nuovamente. Se compare nuovamente il codice guasto, rivolgersi all'assistenza.
EE	Guasto al motorino con riduttore ad ingranaggi. Ruotare su OFF l'interruttore di comando, quindi riportarlo su ON nuovamente. Se compare nuovamente il codice guasto, rivolgersi all'assistenza.
EF	Tensione di alimentazione insufficiente. Verificare che la tensione sia entro la gamma richiesta e che la macchina non sia inserita in una morsettiera condivisa con altri apparecchi. Ruotare su OFF l'interruttore di comando, quindi riportarlo su ON nuovamente. Se compare nuovamente il codice guasto, rivolgersi all'assistenza.
EH	Guasto al circuito elettrico. Ruotare su OFF l'interruttore di comando, quindi riportarlo su ON nuovamente. Se compare nuovamente il codice guasto, rivolgersi all'assistenza.
EL	Guasto all'interruttore di comando deposito di raccolta cubetti. Ruotare su OFF l'interruttore di comando, quindi riportarlo su ON nuovamente. Se compare nuovamente il codice guasto, rivolgersi all'assistenza.
En	Guasto al circuito elettrico. Ruotare su OFF l'interruttore di comando, quindi riportarlo su ON nuovamente. Se compare nuovamente il codice guasto, rivolgersi all'assistenza.
EU	Guasto alla scheda di comando. Ruotare su OFF l'interruttore di comando, quindi riportarlo su ON nuovamente. Se compare nuovamente il codice guasto, rivolgersi all'assistenza.

[2] Nessuna indicazione codice guasto

Se la macchina non funziona correttamente o non funziona affatto e sul display non compare nessun codice guasto, prima di rivolgersi all'assistenza controllare che:

- * la macchina riceva l'energia elettrica.
- * l'acqua sia aperta.
- * il filtro dell'aria sia pulito.

Per ulteriori assistenza e consulenza, contattare il locale centro di assistenza Hoshizaki.

4. GARANZIA

Hoshizaki garantisce al proprietario o utente originario che tutti i prodotti con marchio Hoshizaki sono

privi di difetti di costruzione o inerenti ai materiali per l'intera durata del "periodo di garanzia". La garanzia è valida per due anni dalla data di installazione.

La responsabilità di Hoshizaki secondo le condizioni della garanzia è limitata ed esclude la manutenzione di routine, la pulizia, la manutenzione essenziale e/o le riparazioni che si rendano necessarie in conseguenza di uso scorretto e di installazione non conforme alle indicazioni Hoshizaki.

Le riparazioni in garanzia devono essere eseguite da un rivenditore o da un centro di assistenza autorizzato Hoshizaki, che utilizzino componenti originali Hoshizaki.

Per ottenere informazioni complete in merito alla garanzia e al centro di assistenza autorizzato, si prega di contattare il proprio rivenditore/fornitore di fiducia, oppure l'ufficio Hoshizaki europeo più vicino:

Regno Unito/Irlanda - Hoshizaki UK
 TEL: +44 (0)845 456 0585
 FAX: +44 (0)1462 499080

Olanda - Hoshizaki Europe
 TEL: +31 (0)20 6918499
 FAX: +31 (0)20 6918768

Belgio/Lussemburgo - Hoshizaki Belgium
 TEL: +32 (0)2 7123030
 FAX: +32 (0)2 7123031

Germania/Svizzera/Austria - Hoshizaki
 Deutschland
 TEL: +49 (0)2154 92810
 FAX: +49 (0)2154 928128

Francia - Hoshizaki France
 TEL: +33 (0)1 48639380
 FAX: +33 (0)1 48639388

Spagna/Portogallo - Hoshizaki Iberia
 TEL: +34 (0)93 4780952
 FAX: +34 (0)93 4780900

Altri paesi - Hoshizaki Europe
 TEL: +31 (0)20 6918499 o +44 (0)845 456 0585
 FAX: +31 (0)20 6918768 o +44 (0)1462 499080

IV. SMALTIMENTO

Osservare le normative locali in materia di smaltimento della macchina per la presenza di refrigerante infiammabile. Prima di smaltire la macchina, rimuovere il portello per evitare che i bambini vi possano rimanere intrappolati.

Smaltimento corretto del prodotto:

Questo simbolo indica che il prodotto non deve essere smaltito con altri rifiuti domestici all'interno dell'UE. Per evitare possibili danni all'ambiente o alla salute derivanti dallo smaltimento incontrollato dei rifiuti, riciclare il prodotto in modo responsabile per promuovere il riutilizzo sostenibile delle risorse materiali. Per restituire la macchina usata, utilizzare i sistemi di restituzione e raccolta o contattare il rivenditore presso il quale è stato acquistato il prodotto. Il prodotto sarà ritirato in vista di un riciclaggio sicuro per l'ambiente.



Il prodotto è dotato di un impianto refrigerante a tenuta ermetica contenente gas fluorurati a effetto serra inclusi nel Protocollo di Kyoto:

FM-1000AKE(-N)	R404A / GWP 3920 / 1.350kg
FM-750AKE(-N)	R404A / GWP 3920 / 1.200kg
FM-600AKE(-N)	R404A / GWP 3920 / 1.300kg
FM-480AKE(-N)	R404A / GWP 3920 / 0.600kg
FM-300AKE(-N)	R404A / GWP 3920 / 0.460kg
FM-170AKE(-N)	R134a / GWP 1430 / 0.390kg

Il prodotto è isolato con schiumatura ottenuta con gas fluorurati a effetto serra.

DICHIARAZIONE DI CONFORMITÀ CE

Casa costruttrice: Hoshizaki Europe Ltd.
Telford 70 Stafford Park 7, Telford,
Shropshire TF3 3BQ England

Con la presente dichiariamo che la macchina/le macchine elencate qui di seguito e costruite dalla Hoshizaki sono conformi ai requisiti fondamentali di natura sanitaria e di sicurezza richiesti dalle seguenti norme CE:

Norme CE: Direttiva EMC (2004/108/CE)
Direttiva sulla bassa tensione (2006/95/CE)

Standard europei di armonizzazione applicati: EN 55014-1 (EMC)
EN 55014-2 (EMC)
EN 61000-3-2 (EMC)
EN 61000-3-3 (EMC)
EN 61000-4-2 (EMC)
EN 61000-4-3 (EMC)
EN 61000-4-4 (EMC)
EN 61000-4-5 (EMC)
EN 61000-4-6 (EMC)
EN 61000-4-11 (EMC)
EN 60335-1 (LVD)
EN 60335-2-24 (LVD)
EN 62233 (EMF)

Anno di prima apposizione del marchio CE: 2010

Descrizione prodotto: macchina Hoshizaki per la fabbricazione del ghiaccio

Modello/i: FM-1000AKE, FM-1000AKE-N
FM-750AKE, FM-750AKE-N
FM-600AKE, FM-600AKE-N
FM-480AKE, FM-480AKE-N
FM-300AKE, FM-300AKE-N
FM-170AKE, FM-170AKE-N

Nome: Akira Oi

Incarico: Amministratore

La validità della presente dichiarazione decade qualora vengano apportate modifiche alla macchina/alle macchine, senza previa autorizzazione da parte di Hoshizaki.