



---

COUNTER SHOWCASE

# INSTRUCTION MANUAL

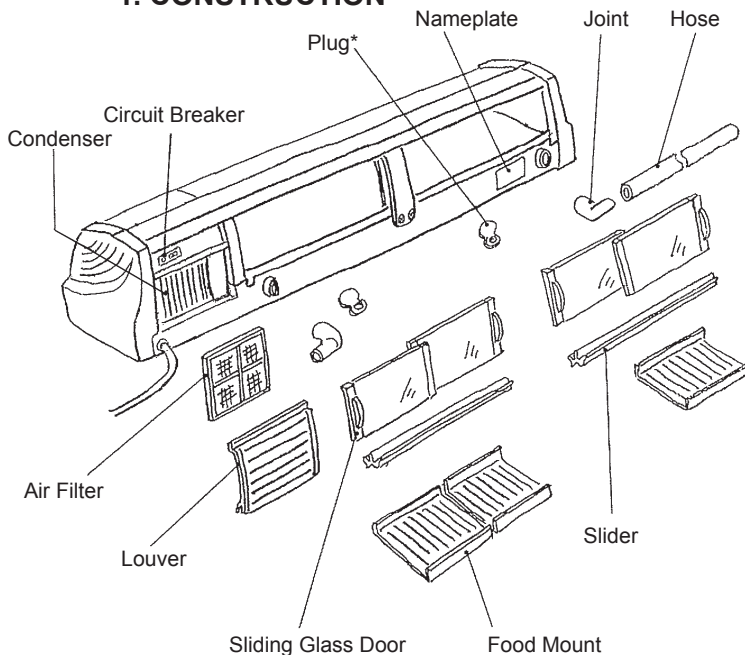
HNC-120BE-L/R-B  
HNC-150BE-L/R-B  
HNC-180BE-L/R-B  
HNC-210BE-L/R-B  
HNC-120BE-L/R-S  
HNC-150BE-L/R-S  
HNC-180BE-L/R-S  
HNC-210BE-L/R-S

## IMPORTANT

1. This booklet is an integral and essential part of the product and should be kept and preserved by the user. Please read carefully the guidelines and warnings contained herein as they are intended to provide the installer/user with essential information for the proper installation and the continued safe use and maintenance of the product. Please preserve this booklet for any further consultation that may be necessary.
2. This is a counter showcase, and should be destined only to be used for the purpose for which it has been expressly designed. Any other use should be considered improper and therefore dangerous. The manufacturer will not be held liable or responsible for any damage caused by improper, incorrect and unreasonable use.
3. This appliance is not intended for use by persons (including children) with reduced physical, sensory or mental capabilities, or lack of experience and knowledge, unless they have been given supervision or instruction concerning use of the appliance by a person responsible for their safety. Children should be supervised to ensure that they do not play with the appliance.

## I. GENERAL INFORMATION

### 1. CONSTRUCTION



\*Note: Always attach the two plugs to the drain holes located in the showcase.

**Fig. 1**

## II. INSTALLATION AND OPERATING INSTRUCTIONS

### 1. CHECKS BEFORE INSTALLATION

- \*Visually inspect the exterior of the shipping container, and any severe damage noted should be reported to the carrier.

#### WARNING

Remove shipping carton, evaporator spacer, tape(s) and packing. If packing material is left in the showcase, it will not work properly.

#### IMPORTANT

Remove shipping tape holding the door.

- \* Remove the package containing accessories.
- \* See the nameplate on the rear of the showcase, and check that your voltage supplied corresponds with the voltage specified on the nameplate.

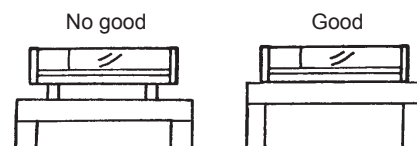
### 2. LOCATION

#### IMPORTANT

This showcase is not intended for outdoor use. Normal operating ambient temperature should be within 10°C to 30°C. Operation of the showcase, for extended periods, outside of this normal temperature range may affect cooling performance.

For best operating results:

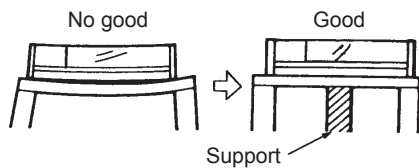
- \* The showcase should not be located next to ovens, grills or other high heat producing equipment.
- \* The location should provide a firm foundation for the equipment across its entire bottom surface. Any unevenness or the insertion of packing resulting in only partial contact could result in the case becoming damaged or deformed causing a failure. The showcase should always be level from side to side and back to front.



**Fig. 2**

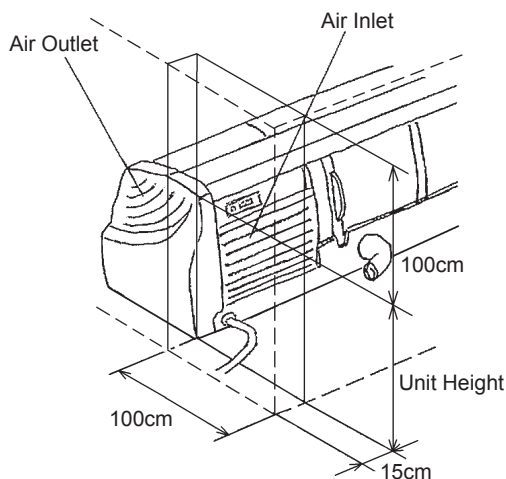
# ENGLISH

If the foundation is not firm enough, it may warp and cause some space between its center and the showcase bottom. In this case, provide a support to keep the foundation level.



**Fig. 3**

- \* Avoid a site where dripping is not allowed.
- \* Do not expose the showcase to direct sunlight or higher temperatures to prevent damage to the plastic housing.
- \* Allow at least 15 cm clearance between the Condenser air outlet and the wall or other equipment for proper air circulation. The rear and top of the showcase should have enough space (at least 100 cm) for proper air circulation and smooth operation.



**Fig. 4**

### 3. SET UP

#### IMPORTANT

Carry the showcase by holding its bottom.

- 1) Unpack the showcase, and remove all shipping carton, evaporator spacer, tapes and packing BEFORE operating the unit. Be careful not to damage the exterior panels when handling the showcase.
- 2) Position the showcase in a selected site. Clean the interior with soap and water and rinse thoroughly.

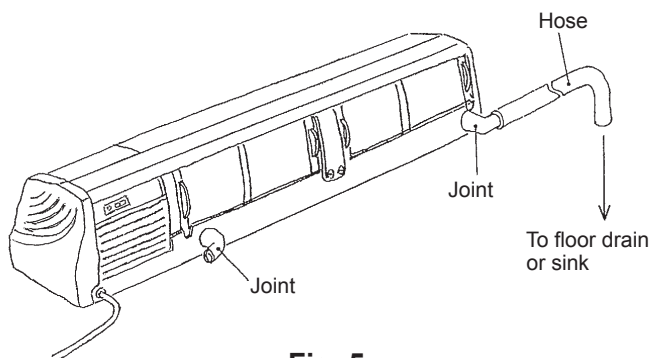
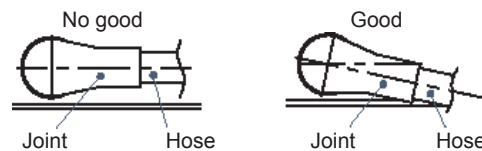
- 3) Level the showcase in both the left-to-right and the front-to-rear directions.
- 4) The perimeter where the machine touches the counter should be sealed with silicone.

### 4. ELECTRICAL CONNECTIONS

- \* This showcase must be plugged into the separated power receptacle which has enough capacity. The maximum allowable voltage variation should not exceed  $\pm 6$  percent of the nameplate rating. See the nameplate.
- \* If the supply cord and the plug should need to be replaced, it should only be done by a qualified service engineer in order to avoid a hazard.

### 5. DRAIN CONNECTIONS

- \* The hose may be connected to either right or left joint, whichever is convenient.
- \* The joint must be tilted as shown below to turn the hose connection downward.
- \* Keep more than 5 cm air gap between the vertical drain pipe end and the sink.



**Fig. 5**

### 6. FINAL CHECK LIST

- 1) Is the showcase level?
- 2) Is the showcase in a site where the ambient temperature is within 10°C to 30°C all year around?

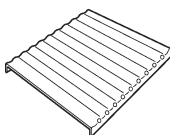
- 3) Have all shipping carton, evaporator spacer, tape(s) and packing been removed from the showcase?
- 4) Have all electrical and piping connections been made?
- 5) Has the power supply voltage been tested or checked against the nameplate rating?
- 6) Has the user been given the instruction manual and instructed on how to operate the showcase and the importance of periodic maintenance recommended?
- 7) Has the user been given the name and telephone number of the authorized service agency?

## 7. START UP

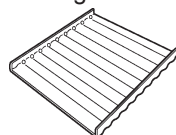
### IMPORTANT

1. Be careful not to let water into the machine compartment and over the exterior. This might cause an electric shock hazard.
2. Be sure to prechill the showcase before putting foods in. Store only pre-refrigerated items in the showcase. It takes longer for foods to cool in the showcase than in a refrigerator. After service hours, move foods into a refrigerator.
3. Only open the doors when necessary and do not leave them open as the interior temperature may rise, resulting in food deterioration.
4. Before unplugging the showcase for defrosting, first remove the items inside to protect them from drops of defrost water.
5. It is normal to find condensation on the showcase in humid or rainy weather. Simply wipe it off with a soft cloth from time to time.
6. Control the food temperature by placing the food mounts as follows:

Normal condition  
When food temp.  
is too low



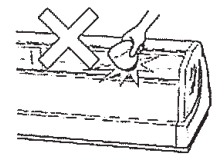
For more intensive  
cooling



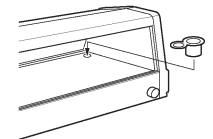
7. The maximum safe height for displaying food products is 9 cm above the interior bottom. Food products should not be placed above this height as they may not remain cold enough to avoid spoilage.

8. If the showcase is turned off, wait for at least 3 minutes before restarting the showcase. Otherwise the thermal motor protector may operate and allow defrost water to drip onto the items inside. The thermal motor protector will reset automatically in 30 minutes.

9. To prevent damage to the glass parts, do not place or hit any tableware, bottles or edged tools directly on the glass surfaces. Even a tiny flaw may grow into a crack (a few days) later.



10. To avoid entrance of vermin during operation, the two drain outlets, on the right and left under the food mounts must always have the drain plugs fitted.



- 1) Clean inside the showcase.
  - 2) Plug in the showcase, and turn on the circuit breaker.
- \* When not in use, dry the showcase thoroughly and store it in a dry place.

## III. MAINTENANCE AND CLEANING INSTRUCTIONS

### IMPORTANT

1. Before carrying out any cleaning or maintenance operations, unplug the showcase.
2. Do not disassemble the showcase further than illustrated in Fig. 1.
3. Do not touch or wet the machine compartment parts. This could result in failure or breakdown.
4. To prevent possible damage, do not clean the plastic parts with water above 40°C or in a dishwasher.

# ENGLISH

## 1. INTERIOR/EXTERIOR

- \* Clean the interior and food mounts every day for sanitary use.
- \* Clean off the exterior with a soft cloth soaked in warm water containing a neutral cleaner and wrung dry. Do not use a water jet to clean the exterior.
- \* Use only a neutral cleaner. Other chemical agents might cause damage to the interior and exterior surfaces.

Note: To prevent damage to the part surfaces and the coating on the evaporator, do not use a scourer on the interior/exterior surfaces.

## 2. DRAIN PIPE CLEANING

- 1) Either mix 1 liter of water with 3.7 ml of 5.25% sodium hypochlorite solution in a suitable container, or the recommended Hoshizaki sanitizer as directed.
- 2) Disconnect the hose from the joint.
- 3) Turn up the end of the two joints .
- 4) Slowly pour the sanitizing solution into the drain water circuit from the joints.
- 5) Wait for 5 minutes, and turn down the end of the joints to drain the solution.
- 6) Leave the drain water circuit to dry out.

## 3. AIR FILTER

A plastic mesh air filter removes dirt or dust from the air, and keeps the condenser from getting clogged. As the filter gets clogged, the showcase's performance will be reduced. Check the filter at least twice a month. When clogged, use warm water and a neutral cleaner to wash the filter.

- 1) Hold the tabs located at the bottom of the louver, and lift them up to release the louver from the body.
- 2) Pull the louver toward you.

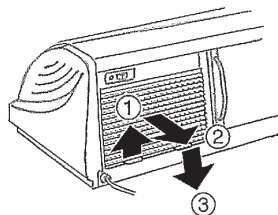


Fig. 6

- 3) Pull out the louver downward.
- 4) Hold the frame of the air filter, and pull it out toward you.
- 5) Clean the air filter.
- 6) Refit the air filter and louver in the reverse order of the removal procedure.

## 4. CONDENSER

### IMPORTANT

To prevent possible injury, do not touch the condenser fins with hands. Use a brush or vacuum cleaner to clean the condenser.

Check the condenser once a year, and clean if required by using a brush or vacuum cleaner. More frequent cleaning may be required depending on the location of the showcase.

## 5. CHECKING CIRCUIT BREAKER

Push the test button at least once a month to simulate an earth leakage on the load circuit.

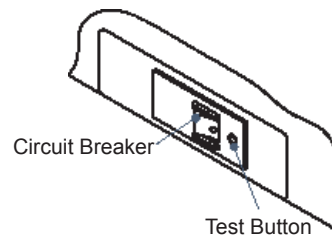


Fig. 7

## IV. DISPOSAL

When disposing of the showcase, contact an authorized Hoshizaki service company or a specialized waste disposal company.

## V. WARRANTY

Hoshizaki warrants to the original owner/user that all Hoshizaki branded products shall be free of defects in material and/or workmanship for the duration of the "warranty period". The warranty shall be effective for one year from the date of installation.

Hoshizaki's liability under the terms of the warranty

are limited and shall exclude routine servicing, cleaning, essential maintenance and/or repairs occasioned by misuse and installations not in accordance with Hoshizaki guidelines.

Warranty repairs should be completed by an approved Hoshizaki dealer or service agency using genuine Hoshizaki components.

To obtain full details of your warranty and approved service agency, please contact your dealer/supplier, or the nearest Hoshizaki Service office:

Hoshizaki Middle East  
TEL: +971 48 876 612  
FAX: +971 48 876 613  
sales@hoshizaki.ae

Hoshizaki Europe B.V.  
TEL: +31 20 6918499  
FAX: +31 20 6918768  
sales@hoshizaki.nl