



HOSHIZAKI

> **IM-220AA**

daily ice production capacity of up to 220kg



Cube ice is perfectly symmetrical and leaves a good impression with its hard, crystal clear quality that melts very slowly; allowing customers to enjoy their favourite drink longer. The I-Fit series of cube ice maker produces standard size ice (28x28x32mm) that is applicable in many settings and designed for uncomplicated usage from start to finish.



> **IM-220AA**
(With Hoshizaki Storage Bin - **B-301SA**)

CUBE ICE MAKER SERIES

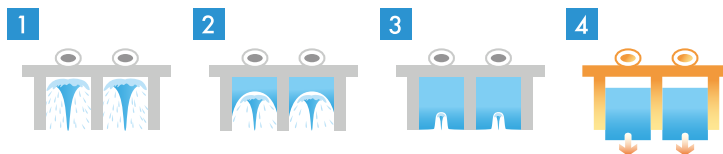
I-FIT
SERIES

FEATURES

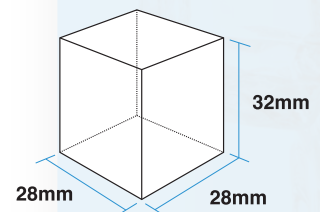
- > sharp stainless steel exterior
- > easy to remove pull-out filter for cleaning
- > smart computer board technology



UNIQUE ICE PRODUCTION SYSTEM

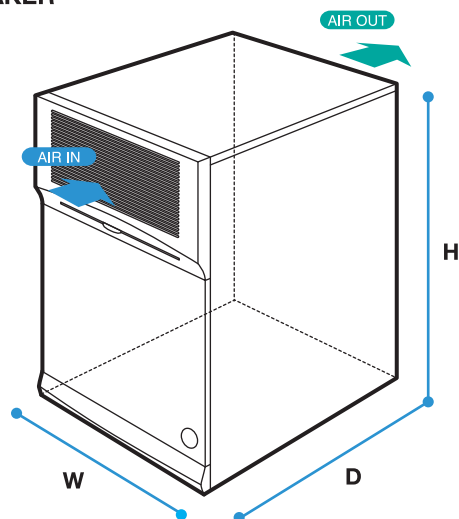


ICE SIZE

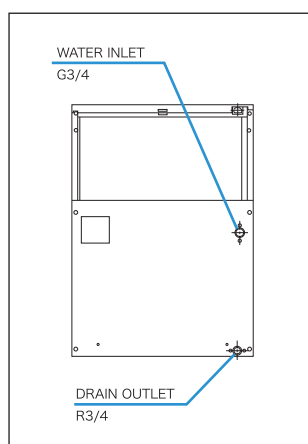


DIMENSIONS & SPECIFICATION

CUBE ICE MAKER AIR SYSTEM



BACK SIDE



MODEL NAME	IM-220AA	
ICE DIMENSIONS (MM)	28 x 28 x 32	
DIMENSIONS (MM)	560 x 639 x 775	
PACKED DIMENSIONS (MM)	644 x 728 x 883	
WEIGHT (NETT/GROSS)	69 KG / 76 KG	
AMPERAGE / STARTING AMPERAGE	5.0A / 24A	
ELECTRICAL CONSUMPTION	950 W	
REFRIGERANT CHARGE	R404a	
HEAT REJECTION (AT32°C/WT21°C)	2290 W (1970 kcal/h)	
ICE PRODUCTION PER 24H (15MM)	(AT10°C/WT10°C)	220 KG
	(AT21°C/WT15°C)	200 KG
	(AT32°C/WT21°C)	175 KG
WATER CONSUMPTION PER 24H (AT21°C/WT15°C)	0.31 m ³	
	1.7L / 1KG ICE	
ICE PRODUCTION (AT21°C/WT15°C)	FREEZE CYCLE TIME	23 MIN
	PER CYCLE	3.2 KG / 140 PCS

NOTE: All dimensions indicated are Width x Depth x Height in mm.

OPERATING CONDITIONS: • Voltage Range: ±6% • Ambient Temperature: 1°-40°C
• Water Supply: 5°-35°C / 0.07-0.8 Mpa / 7.25-116 PSI • AC Supply Voltage: 1/220-240V / 50 Hz

• **WARRANTY:** Two years parts & labour for entire unit, 3rd year on compressor only. Excluding door & exterior damages